



Description

The 1-phase adaptor comes in white and black: the white option combines functionality with a clean, professional look for seamless track system integration, while the black option offers a sleek solution ideal for modern lighting designs.

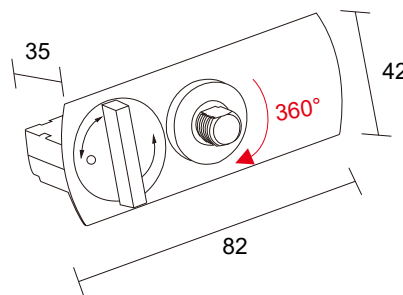
Protection class: I, Protection rating: IP20, Voltage: 250VAC.

Article number: V115201N0W, V115201N0B.

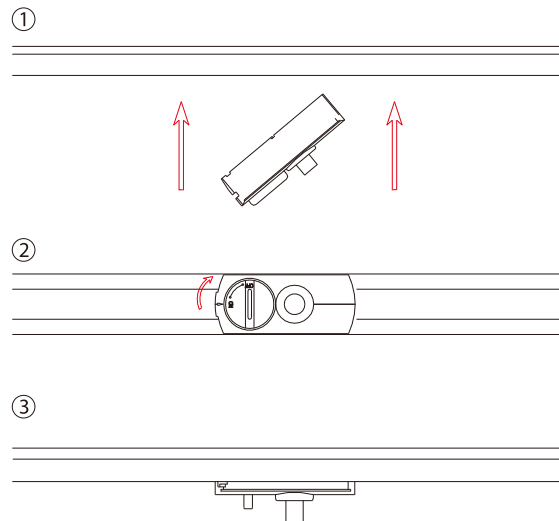
1 Phase Adaptor P

Size	82x35x42 mm
Protective class	1
Material	Polycarbonate
IP Rating	IP20
Voltage	250V~
Current	max.6A
Frequency	50/60Hz
Fmax	20N
Weight(kg)	0.05

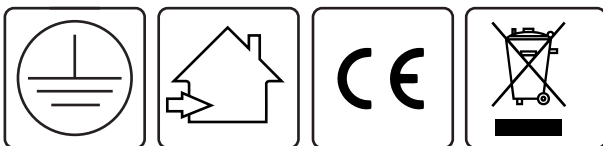
Technical drawing



Installation diagram



Color	Art.No
○	V115201N0W
●	V115201N0B



Disclaimer

All technical data as well as weight and dimension specifications are based on standard values and have been carefully prepared. We reserve the right to make technical changes at any time to reflect progress. Product images are for illustrative purposes and may differ from the original. Errors excepted.

As of: 20/06/2025. Orders are subject to our General Terms and Conditions of Sale, available at <https://www.vysnlighting.com/de/pages/agb>