

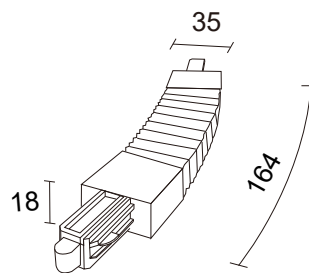
Description

The flexible connector for 1-phase track systems comes in white and black: the white option is an adaptable solution to ensure efficient connections in dynamic lighting setups, while the black option ensures stylish connectivity in tight or angled spaces. Protection class: I, Protection rating: IP20, Voltage: 250VAC. Article number: V115170N0W, V115170N0B.

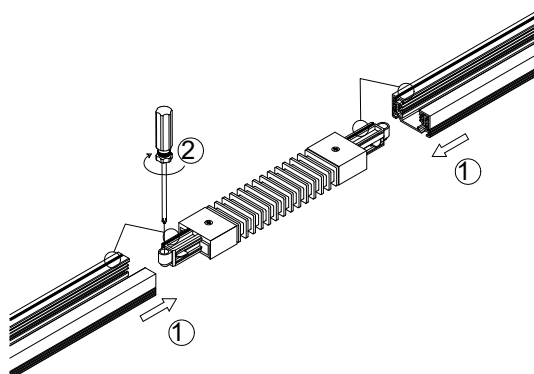
1 Phase Feedin Flex

Size	164x35x18mm
Protective class	1
Material	Polycarbonate
IP Rating	IP20
Voltage	250V~
Current	max.16A
Frequency	50/60Hz
Weight(kg)	0.11

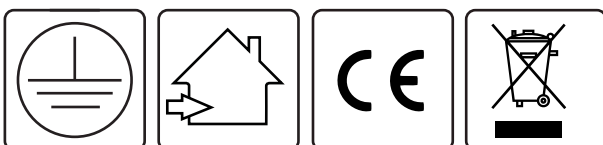
Technical drawing



Installation digram



Color	Art.No
○	V115170N0W
●	V115170N0B



Disclaimer
All technical data as well as weight and dimension specifications are based on standard values and have been carefully prepared. We reserve the right to make technical changes at any time to reflect progress. Product images are for illustrative purposes and may differ from the original. Errors excepted.
As of: 20/06/2025. Orders are subject to our General Terms and Conditions of Sale, available at <https://www.vysnlighting.com/de/pages/agb>