



Description

The left feed-in connector comes in white and black: the white version offers clean aesthetics with efficient power connectivity for 3-phase systems, while the black one provides a sleek, modern option for the same purpose.

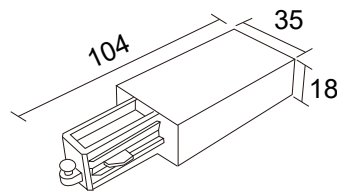
Protection class: I, Protection rating: IP20, Voltage: 250VAC.

Article number: V115110N0W, V115110N0B.

1 Phase Feedin L

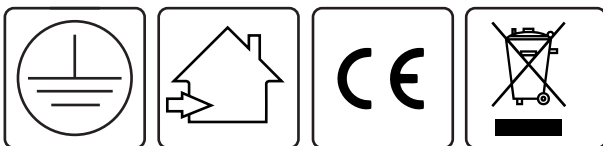
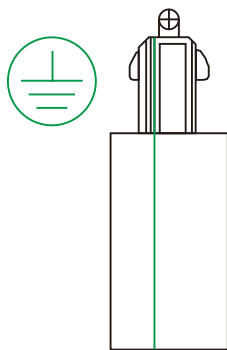
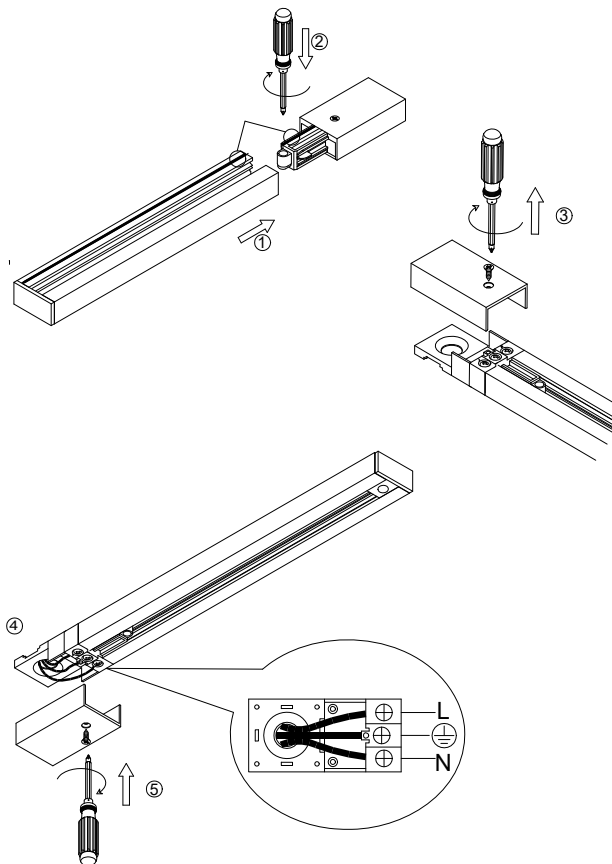
Technical drawing

Size	104x35x18mm
Protective class	1
Material	Polycarbonate
IP Rating	IP20
Voltage	250V~
Current	max.16A
Frequency	50/60Hz
Weight(kg)	0.04



Installation digram

Color	Art.No
○	V115110N0W
●	V115110N0B



Disclaimer
All technical data as well as weight and dimension specifications are based on standard values and have been carefully prepared. We reserve the right to make technical changes at any time to reflect progress. Product images are for illustrative purposes and may differ from the original. Errors excepted.
As of: 19/06/2025. Orders are subject to our General Terms and Conditions of Sale, available at <https://www.vysnlighting.com/de/pages/agb>