



Description

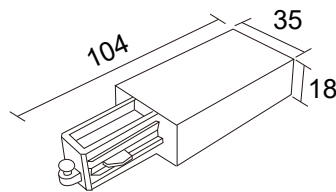
The right feed connector for 1-phase track systems comes in white and black: the white option ensures clean, seamless power connectivity to enhance lighting installations, while the black option provides a stylish connection perfect for modern interiors.

Protection class: I, Protection rating: IP20, Voltage: 250VAC.
Article number: V115210N0W, V115210N0B.

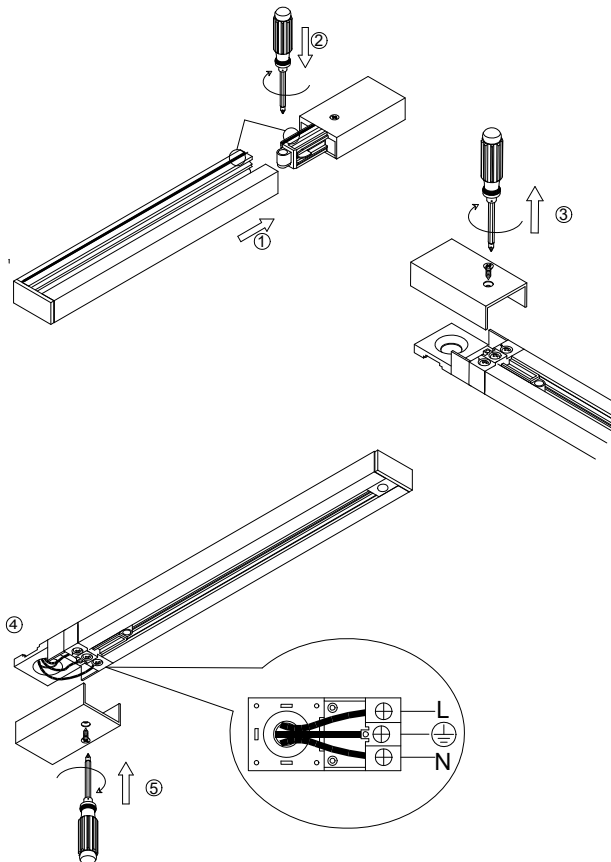
1 Phase Feedin R

Size	104x35x18mm
Protective class	1
Material	Polycarbonate
IP Rating	IP20
Voltage	250V~
Current	max.16A
Frequency	50/60Hz
Weight(kg)	0.04

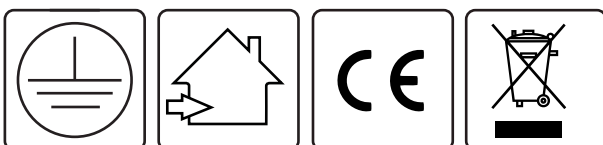
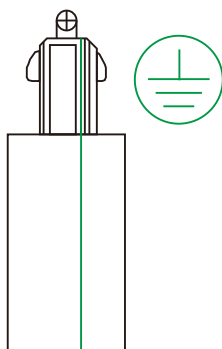
Technical drawing



Installation digram



Color	Art.No
○	V115210N0W
●	V115210N0B



Disclaimer

All technical data as well as weight and dimension specifications are based on standard values and have been carefully prepared. We reserve the right to make technical changes at any time to reflect progress. Product images are for illustrative purposes and may differ from the original. Errors excepted.

As of: 19/06/2025. Orders are subject to our General Terms and Conditions of Sale, available at <https://www.vysnlighting.com/de/pages/agb>