



Description

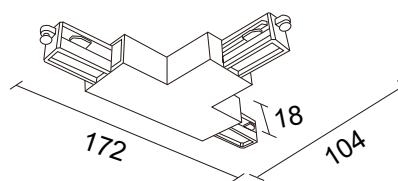
The right T-connector for 1-phase track systems comes in white and black: the white option ensures seamless, efficient corner connections perfect for clean, professional installations, while the black option offers a durable, stylish solution to enhance modern lighting setups.

Protection class: I, Protection rating: IP20, Voltage: 250VAC.
Article number: V115260N0W, V115260N0B.

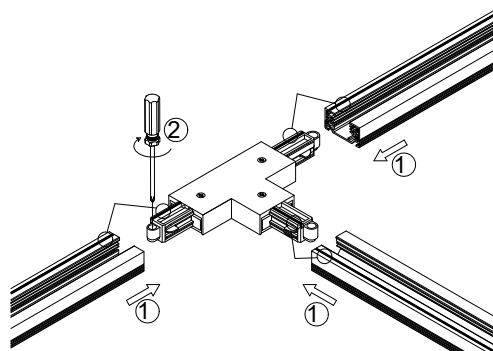
1 Phase Feedin TR

Size	172x104x18mm
Protective class	1
Material	Polycarbonate
IP Rating	IP20
Voltage	250V~
Current	max.16A
Frequency	50/60Hz
Weight(kg)	0.11

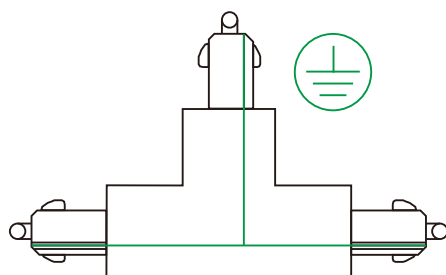
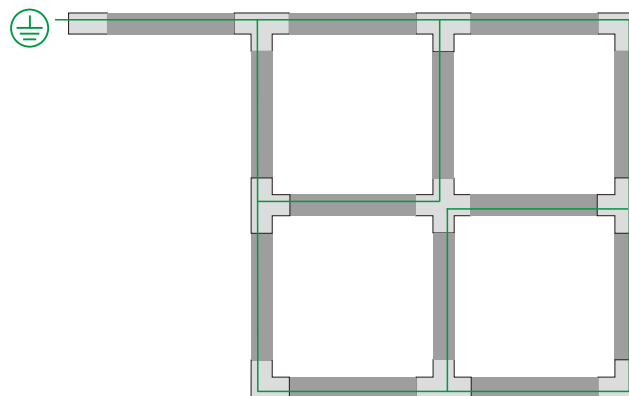
Technical drawing



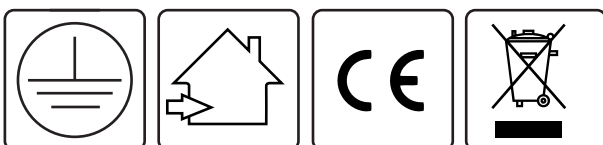
Installation diagram



Connection diagram



Color	Art.No
○	V115260N0W
●	V115260N0B



Disclaimer

All technical data as well as weight and dimension specifications are based on standard values and have been carefully prepared. We reserve the right to make technical changes at any time to reflect progress. Product images are for illustrative purposes and may differ from the original. Errors excepted.

As of: 19/06/2025. Orders are subject to our General Terms and Conditions of Sale, available at <https://www.vysnlighting.com/de/pages/agb>