

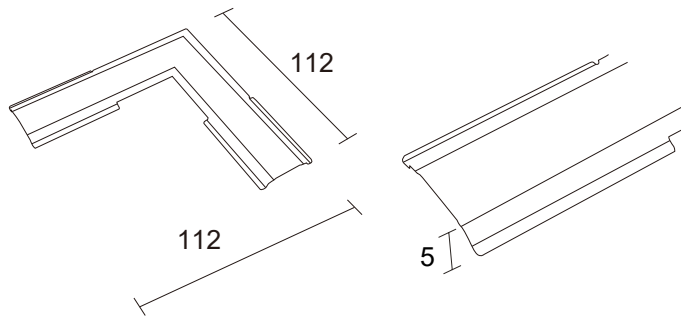


Description

The corner connector ensures and smooth connections for 1-phase track systems, making it perfect for complex lighting setups in modern spaces.

Article number: V115201N0C.

Technical drawing

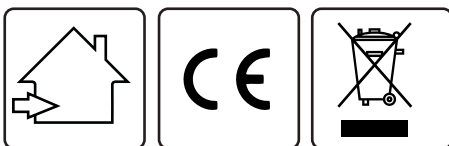
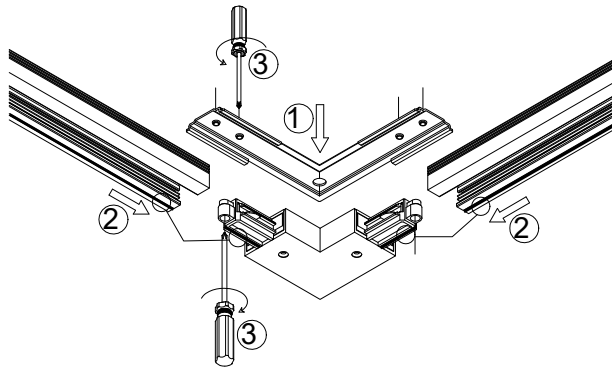


1 Phase support C

Size	112x112x5mm
Material	Aluminum
IP Rating	IP20
Weight(kg)	0.060

Color	Art.No
○	V115201N0C

Installation digram



Disclaimer

All technical data as well as weight and dimension specifications are based on standard values and have been carefully prepared. We reserve the right to make technical changes at any time to reflect progress. Product images are for illustrative purposes and may differ from the original. Errors excepted.

As of: 20/06/2025. Orders are subject to our General Terms and Conditions of Sale, available at <https://www.vysnlighting.com/de/pages/agb>