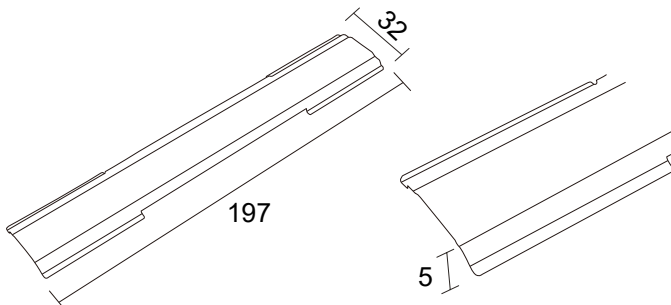




## Description

The stabilizer connector ensures secure and stable connections in 1-phase track systems, enhancing reliability and durability.  
Article number: V115202N0C.

## Technical drawing

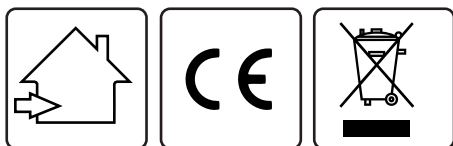
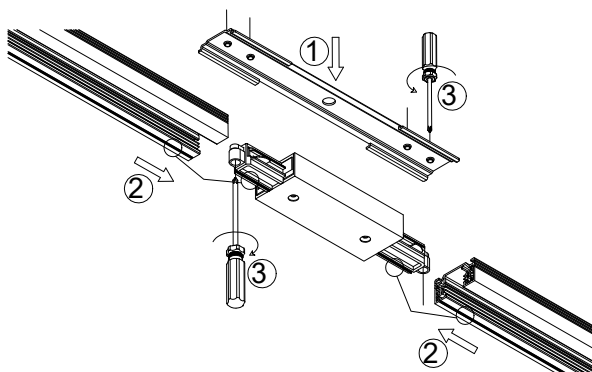


## 1 Phase support L

Size	197x32x5mm
Material	Aluminum
IP Rating	IP20
Weight(kg)	0.080

Color	Art.No
○	V115202N0C

## Installation digram



**Disclaimer**  
All technical data as well as weight and dimension specifications are based on standard values and have been carefully prepared. We reserve the right to make technical changes at any time to reflect progress. Product images are for illustrative purposes and may differ from the original. Errors excepted.  
As of: 20/06/2025. Orders are subject to our General Terms and Conditions of Sale, available at <https://www.vysnlighting.com/de/pages/agb>