



## Description

The left feed-in connector provides a secure and efficient power connection for the 1-phase Wing system, ensuring seamless integration into lighting setups.

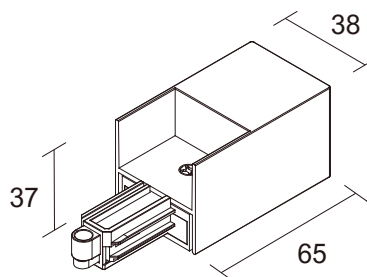
Protection class: I, Protection rating: IP20, Voltage: 250VAC.

Article number: V113923N0B.

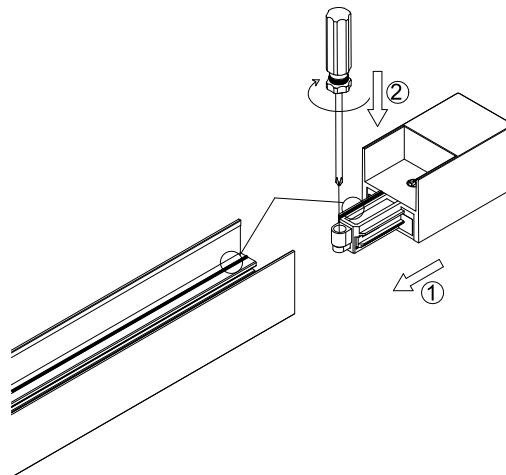
## 1 Phase Track Wing Feedin L

Size	65x38x37mm
Protective class	1
Material	Polycarbonate
IP Rating	IP20
Voltage	250V~
Current	max.16A
Frequency	50/60Hz
Weight(kg)	0.058

## Technical drawing



## Installation diagram

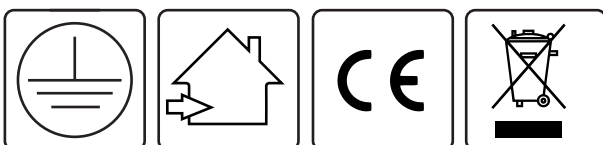
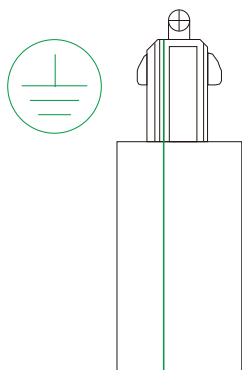


**Color**



**Art.No**

V113923N0B



### Disclaimer

All technical data as well as weight and dimension specifications are based on standard values and have been carefully prepared. We reserve the right to make technical changes at any time to reflect progress. Product images are for illustrative purposes and may differ from the original. Errors excepted.

As of: 31/07/2025. Orders are subject to our General Terms and Conditions of Sale, available at <https://www.vysnlighting.com/de/pages/agb>