



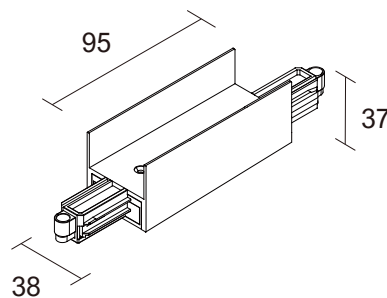
Description

The straight connector is a practical component to join two track sections of the 1-phase Wing track system in a linear configuration. It ensures a stable connection and continuous power flow. Protection class: I, Protection rating: IP20, Voltage: 250VAC. Article number: V113026N0B.

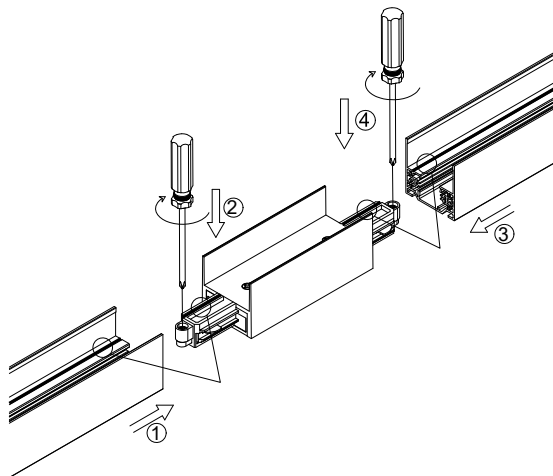
1 Phase Track Wing Straight Connector

Size	95x38x37mm
Protective class	1
Material	Polycarbonate
IP Rating	IP20
Voltage	250V~
Current	max.16A
Frequency	50/60Hz
Weight(kg)	0.08

Technical drawing



Installation diagram

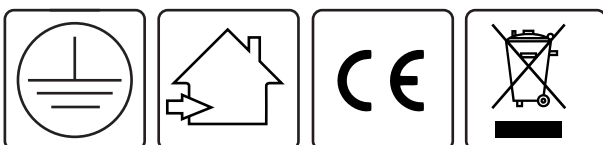


Color

Art.No



V113026N0B



Disclaimer

All technical data as well as weight and dimension specifications are based on standard values and have been carefully prepared. We reserve the right to make technical changes at any time to reflect progress. Product images are for illustrative purposes and may differ from the original. Errors excepted.

As of: 31/07/2025. Orders are subject to our General Terms and Conditions of Sale, available at <https://www.vysnlighting.com/de/pages/agb>