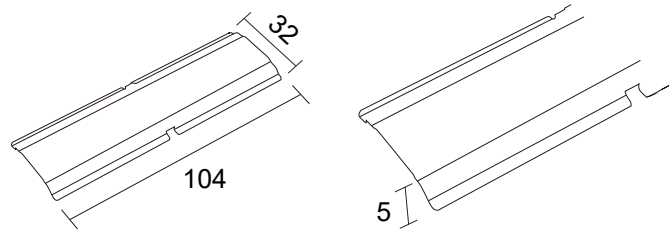




Description

The straight connector ensures a and seamless connection for 1-phase track systems. Ideal for creating clean and efficient lighting setups in both residential and commercial spaces.
Article number: V115200N0C.

Technical drawing

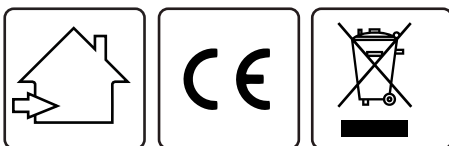
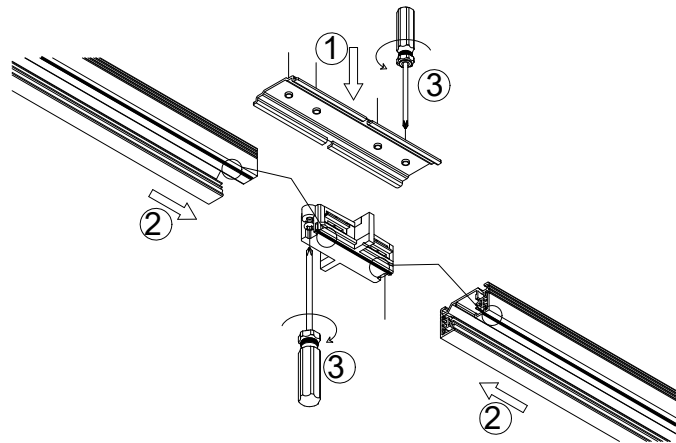


1 Phase support S

Size	104x32x5mm
Material	Aluminum
IP Rating	IP20
Weight(kg)	0.040

Color	Art.No
○	V115200N0C

Installation digram



Disclaimer

All technical data as well as weight and dimension specifications are based on standard values and have been carefully prepared. We reserve the right to make technical changes at any time to reflect progress. Product images are for illustrative purposes and may differ from the original. Errors excepted.

As of: 20/06/2025. Orders are subject to our General Terms and Conditions of Sale, available at <https://www.vysnlighting.com/de/pages/agb>