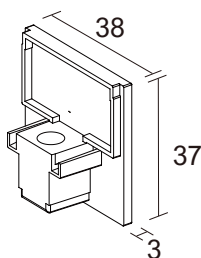




## Description

The endcap for the 1-phase Wing system ensures proper termination, providing a clean and polished finish to lighting installations.  
Article number: V113921N0B.

## Technical drawing

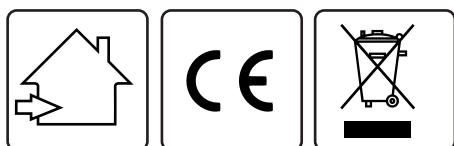
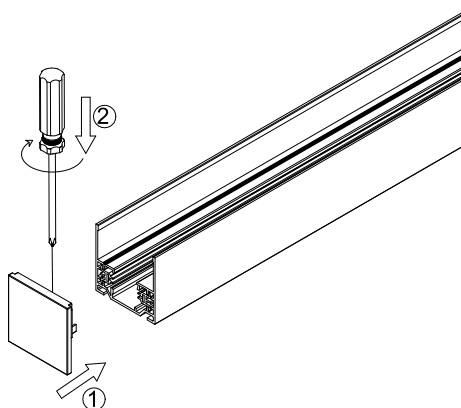


## 1-Phase Track Wing Ecap

Size	38x3x37mm
Material	Polycarbonate
IP Rating	IP20
Weight(kg)	0.007

Color	Art.No
●	V113921N0B

## Installation digram



**Disclaimer**  
All technical data as well as weight and dimension specifications are based on standard values and have been carefully prepared. We reserve the right to make technical changes at any time to reflect progress. Product images are for illustrative purposes and may differ from the original. Errors excepted.  
As of: 31/07/2025. Orders are subject to our General Terms and Conditions of Sale, available at <https://www.vysnlighting.com/de/pages/agb>