



Description

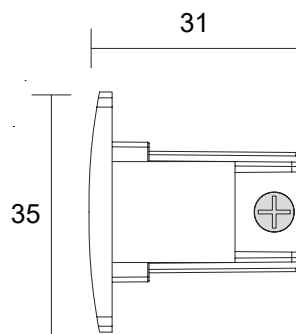
The endcap comes in white and black, serving as a necessary safety part to close the track.

Article number: PRO-0432-W, PRO-0432-B.

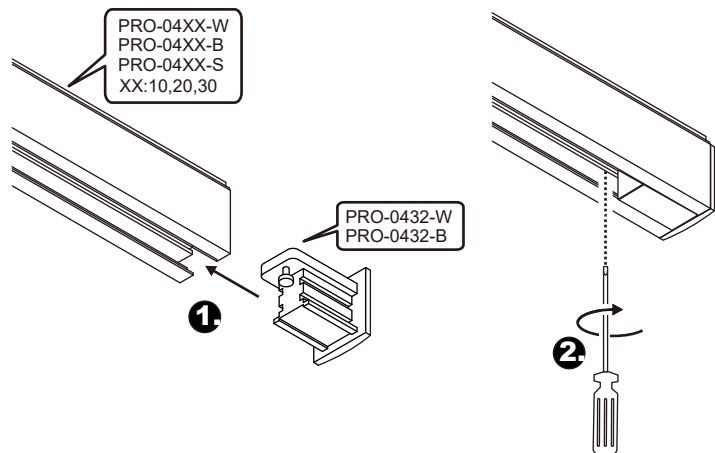
3 Phase Endcap

Size	31 mm x 35 mm
Material	Polycarbonate
IP Rating	IP20
Weight(kg)	0.009

Technical drawing

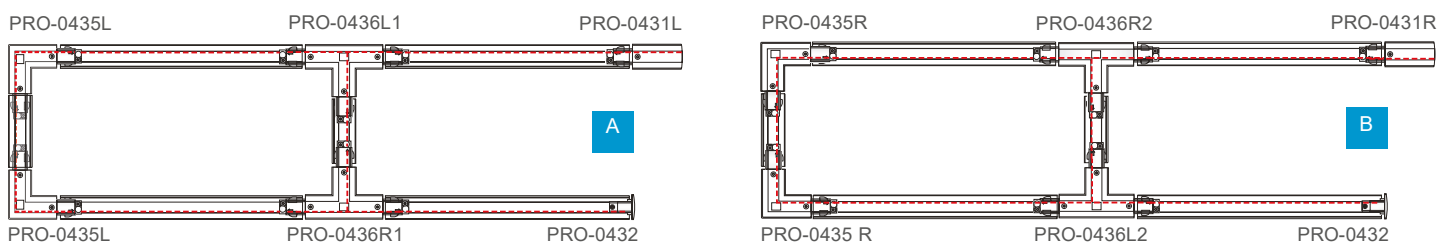


Installation diagram

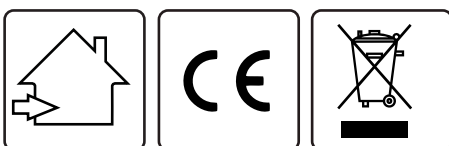


Color	Art.No
○	PRO-0432-W
●	PRO-0432-B

Connection diagram



Red line indicates polarity ridge.



Disclaimer

All technical data as well as weight and dimension specifications are based on standard values and have been carefully prepared. We reserve the right to make technical changes at any time to reflect progress. Product images are for illustrative purposes and may differ from the original. Errors excepted.

As of: 11/06/2025. Orders are subject to our General Terms and Conditions of Sale, available at <https://www.vysnlighting.com/de/pages/agb>