



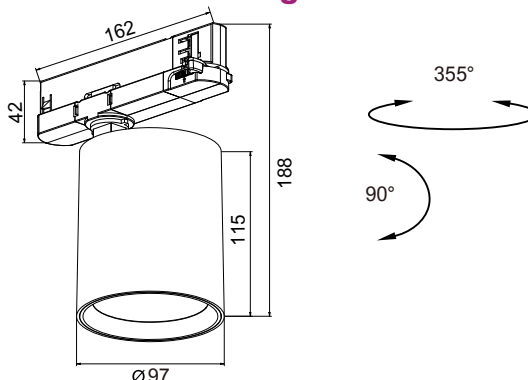
Description

3-Phase Multi-Spot, rotatable and pivotable, switchable, 162x97x188mm, adjustable power 20/24/28/32 W, IP20, 1900-2900 lm, COB LED, adjustable CCT 2700/3000K, CRI > 90, incl. on/off driver. Track spotlight for installation in 3-phase tracks. Efficient lighting for shops and living spaces where a rotationally symmetric, deep-narrow or wide beam light distribution is required. Architectural application for all areas where direct, focused illumination and easy adjustment of the lighting to the conditions are desired, such as shops, gastronomy, living and dining rooms, as well as hallways. Room-side protection rating: IP20, Protection class: II. Voltage: 220-240V AC, Beam angle: 15° or 40°, 50.000 hours lifespan. Article number: V117971S7W, V117971S7B, V117974S7W and V117974S7B.

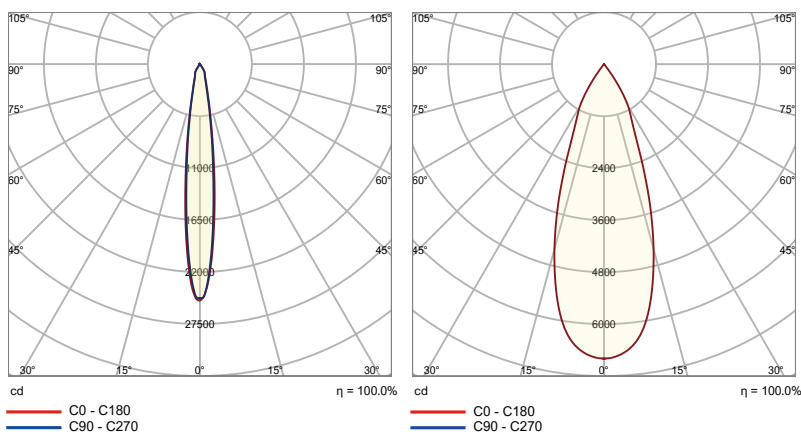
3 Phase Multi-Spot L

Size	162x97x188mm
Lumen	1900 -2900lm
LED Type	COB
Wattage	20/24/28/32W
CCT switch	2700/3000K
Protective class	2
LED Chip lifetime	50.000h
Material	Aluminum
Driver	wattage selection included
SDCM	<6
CRI	90
Efficacy (lm/w)	91
IP Rating	IP20
Voltage	220-240V
Frequency	50/60Hz
Installation	Track
Beam angle	15° or 40°
Weight(kg)	0.61

Technical drawing



Light Distribution



15°	Art.No	Color
	V117971S7W	○
	V117971S7B	●

40°	Art.No	Color
	V117974S7W	○
	V117974S7B	●

