



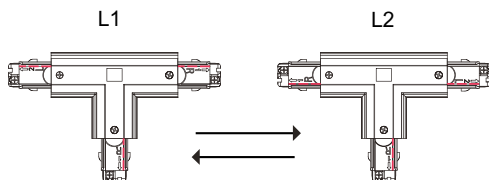
Description

The T-connector connect three 3-phase track sections into a T configuration. It also provides a center feed option. Adjustable between left 1 and left 2
Protection class: I, Protection rating: IP20, Voltage: 220-250VAC.
Article number: PRO-M436L-W, PRO-M436L-B.

3 Phase Twisted T Connector L1->L2

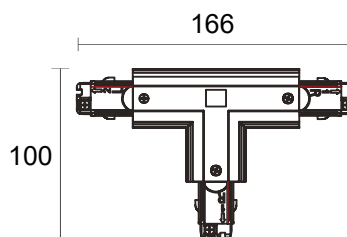
Size	100 mm x 166 mm
Protective class	1
Material	Polycarbonate
IP Rating	IP20
Voltage	220-250V
Current	max.16A
Frequency	50/60Hz
Weight(kg)	0.185

Color	Art.No
○	PRO-M436L-W
●	PRO-M436L-B

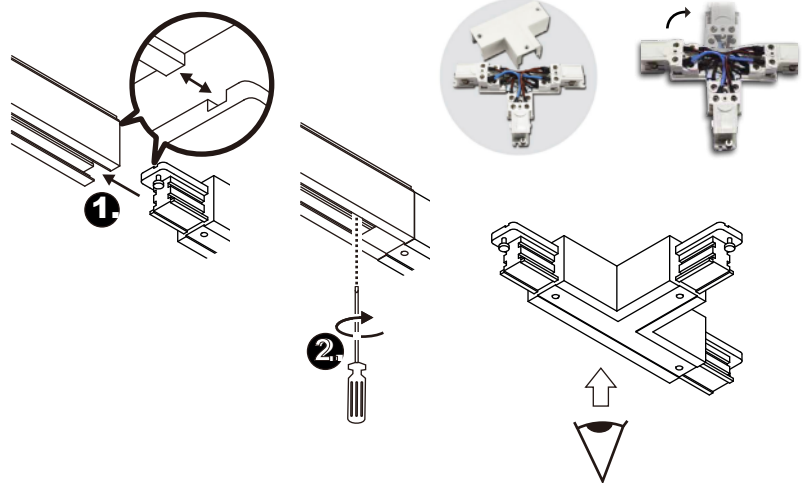


L1 can be changed into L2

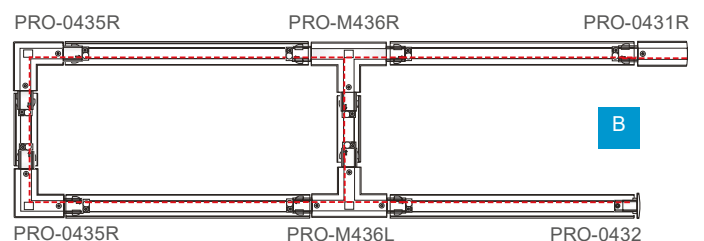
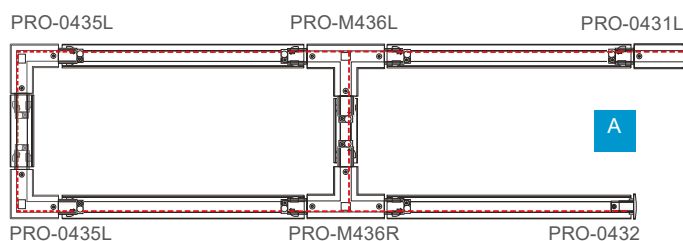
Technical drawing



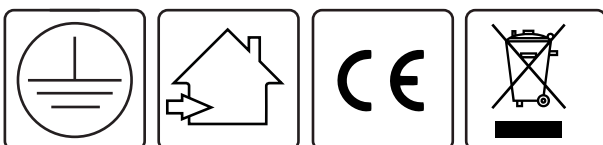
Installation diagram



Connection diagram



Red line indicates polarity ridge.



Disclaimer
All technical data as well as weight and dimension specifications are based on standard values and have been carefully prepared. We reserve the right to make technical changes at any time to reflect progress. Product images are for illustrative purposes and may differ from the original. Errors excepted.
As of: 18/06/2025. Orders are subject to our General Terms and Conditions of Sale, available at <https://www.vysnlighting.com/de/pages/agb>