



## 3 Phase spot

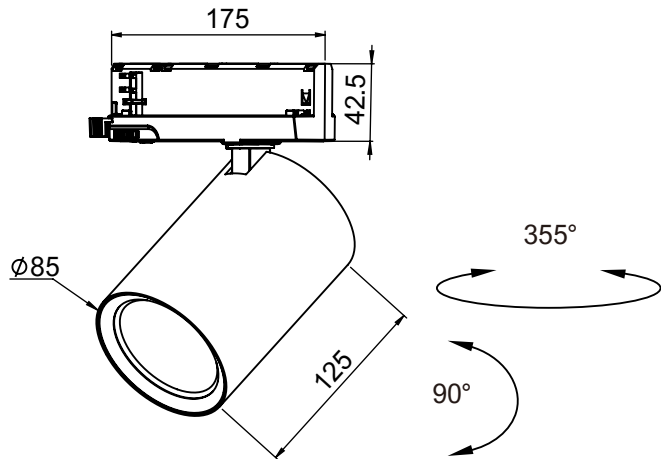
### Description

3-Phase Track Spot, rotatable and pivotable, switchable, 125x85mm, 24 W, IP20, 3190 lm, COB LED, 3000K, CRI > 90, incl. on/off driver. Track spotlight for installation in 3-phase tracks. Efficient lighting for shops and living spaces where a rotationally symmetric, deep-wide beam light distribution is required. Architectural application for all areas where direct, focused illumination and easy adjustment of the lighting to the conditions are desired, such as shops, gastronomy, living and dining rooms, as well as hallways. Room-side protection rating: IP20, Protection class: II. Voltage: 220-240V AC, Beam angle: 36°, 50.000 hours lifespan. Article numbers: W117001A3W, W117001A3B

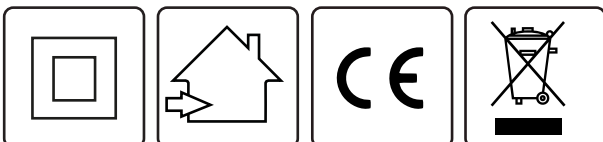
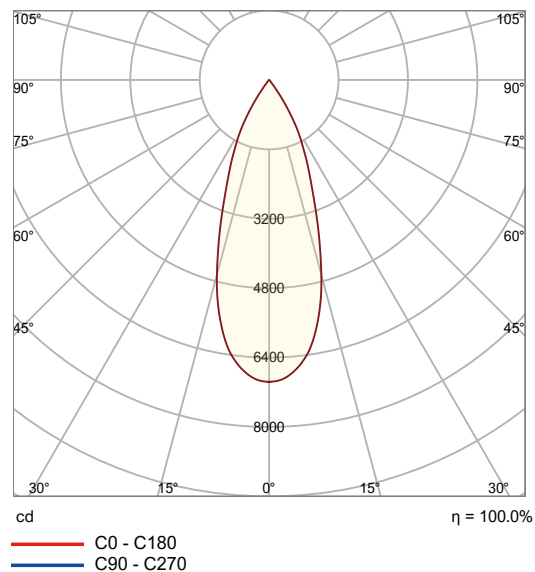
Size	125mm x 85mm
Lumen	3190lm
LED Type	COB
Wattage	24W
CCT	3000K
UGR	/
Protective class	2
LED Chip lifetime	50.000h
Material	Plastic,Aluminum
Driver	on/off included
SDCM	<3
CRI	90
Efficacy (lm/w)	133
IP Rating	20
Voltage	220-240V
Frequency	50/60 Hz
Installation	Track
Beam angle	36°
Weight (kg)	0.51

Color	Art.No
○	W117001A3W
●	W117001A3B

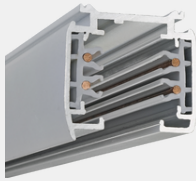
### Technical drawing



### Light Distribution



# Tracks and Accessories



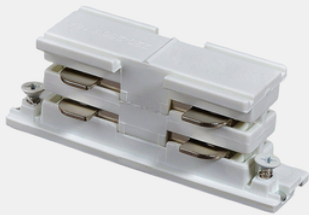
3 Phase track 2m

Art.No	Color
PRO-0420-W	○
PRO-0420-B	●



3 Phase track feed in

Art.No	Color
PRO-0431-W	○
PRO-0431-B	●



3 Phase track electrical connector

Art.No	Color
PRO-0433-W	○
PRO-0433-B	●



End cap

Art.No	Color
PRO-0432-W	○
PRO-0432-B	●

See more details on [vysnlighting.com](https://www.vysnlighting.com)

**Disclaimer**

All technical data as well as weight and dimension specifications are based on standard values and have been carefully prepared. We reserve the right to make technical changes at any time to reflect progress. Product images are for illustrative purposes and may differ from the original. Errors excepted.

As of: 13/03/2025. Orders are subject to our General Terms and Conditions of Sale, available at <https://www.vysnlighting.com/de/pages/agb>