



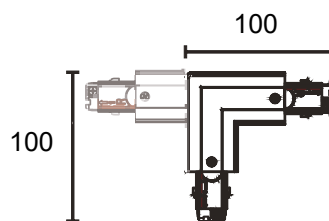
## Description

The corner connector comes in white and black, offering a stylish and practical solution for corner connections in 3-phase systems with earthing left & right integrated in one unit.  
Protection class: I, Protection rating: IP20, Voltage: 220-250VAC.  
Article number: PRO-M438-W, PRO-M438-B.

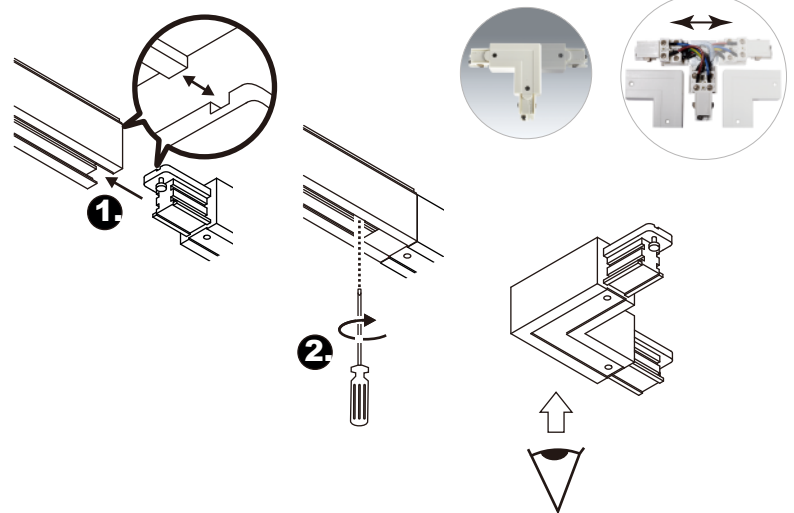
## 3 Phase track L connector left & right (twisted)

Size	100 mm x 100 mm
Protective class	1
Material	Polycarbonate
IP Rating	IP20
Voltage	220-250V
Current	max.16A
Frequency	50/60Hz
Weight(kg)	0.125

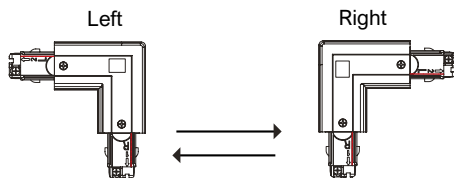
## Technical drawing



## Installation diagram

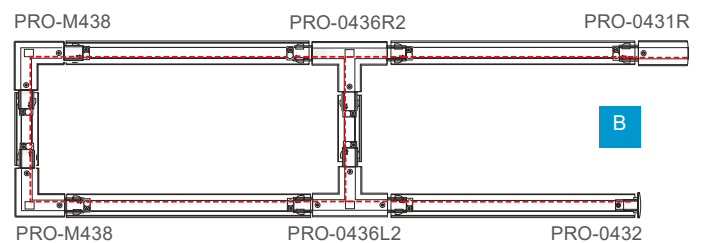
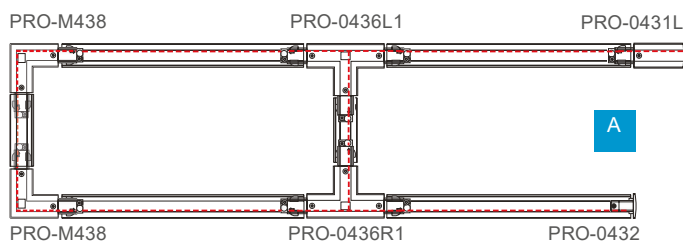


Color	Art.No
○	PRO-M438-W
●	PRO-M438-B

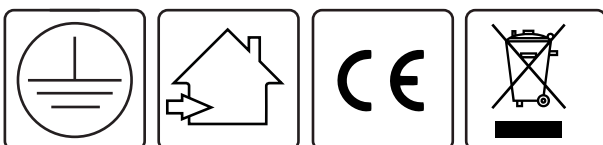


Left can be changed into Right

## Connection diagram



Red line indicates polarity ridge.



**Disclaimer**  
All technical data as well as weight and dimension specifications are based on standard values and have been carefully prepared. We reserve the right to make technical changes at any time to reflect progress. Product images are for illustrative purposes and may differ from the original. Errors excepted.  
As of: 13/06/2025. Orders are subject to our General Terms and Conditions of Sale, available at <https://www.vysnlighting.com/de/pages/agb>