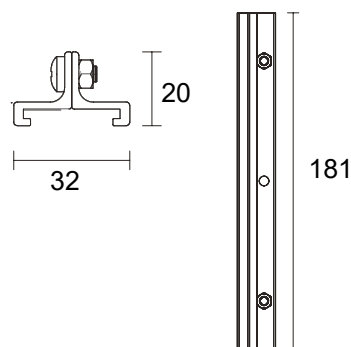




## Description

The 3-phase track support clamp comes in white and black, mechanically connecting two suspended tracks to enhance stability. Article number: PRO-0418SK-W, PRO-0418SK-B.

## Technical drawing

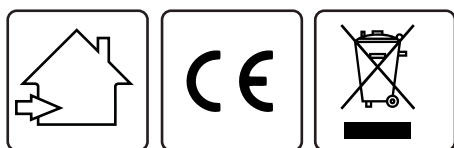
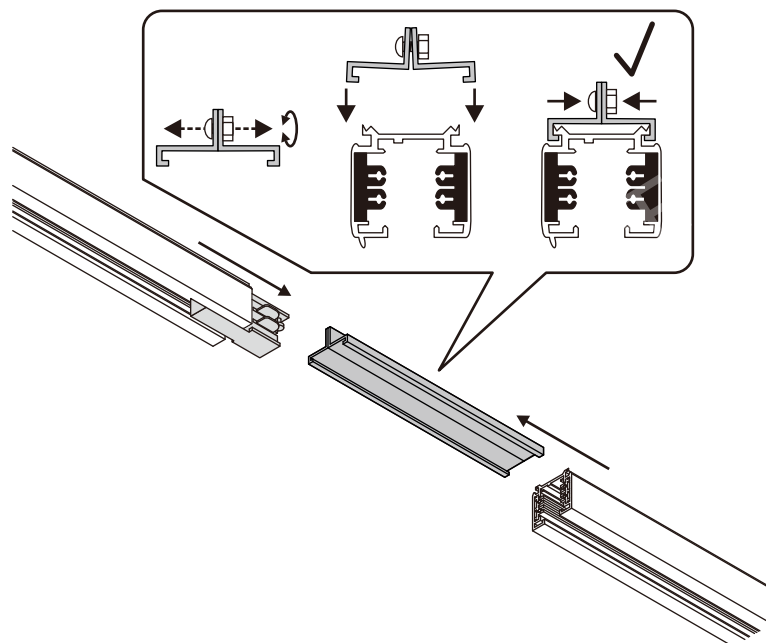


## 3 Phase track connection clamp

Size	181x32x20mm
Material	Aluminum
IP Rating	IP20
Weight(kg)	0.085

Color	Art.No
○	PRO-0418SK-W
●	PRO-0418SK-B

## Installation diagram



**Disclaimer**  
All technical data as well as weight and dimension specifications are based on standard values and have been carefully prepared. We reserve the right to make technical changes at any time to reflect progress. Product images are for illustrative purposes and may differ from the original. Errors excepted.  
As of: 12/06/2025. Orders are subject to our General Terms and Conditions of Sale, available at <https://www.vysnlighting.com/de/pages/agb>