



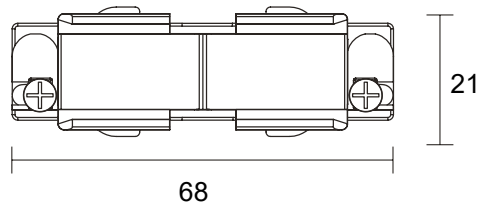
Description

The 3-phase electrical connector comes in white and black: the white version combines functionality with clean aesthetics for secure connections, while the black one offers durability and style to ensure seamless connections. Protection class: I, Protection rating: IP20, Voltage: 220-250VAC. Article number: PRO-0433-W, PRO-0433-B.

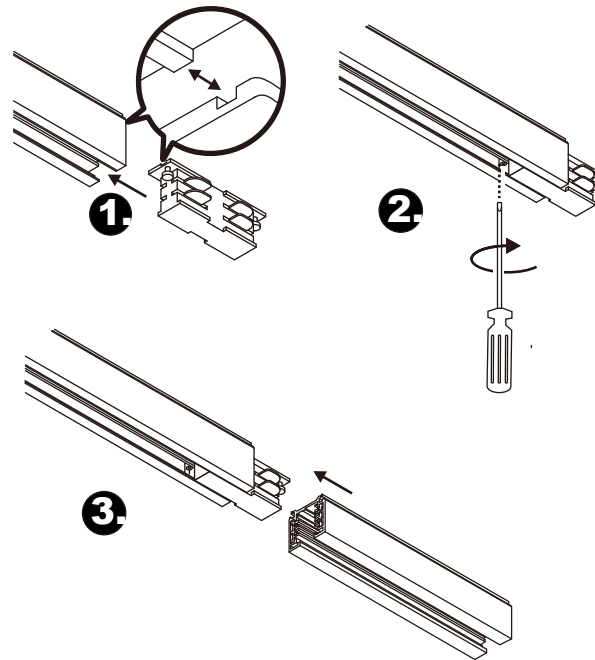
3 Phase track electrical connector

Size	68 mm x 21 mm
Protective class	1
Material	Polycarbonate
IP Rating	IP20
Voltage	220-250V
Current	max.16A
Frequency	50/60Hz
Weight(kg)	0.03

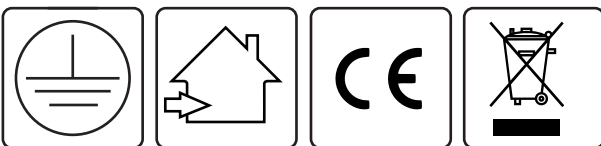
Technical drawing



Installation diagram



Color	Art.No
○	PRO-0433-W
●	PRO-0433-B



Disclaimer
All technical data as well as weight and dimension specifications are based on standard values and have been carefully prepared. We reserve the right to make technical changes at any time to reflect progress. Product images are for illustrative purposes and may differ from the original. Errors excepted.
As of: 11/06/2025. Orders are subject to our General Terms and Conditions of Sale, available at <https://www.vysnlighting.com/de/pages/agb>