



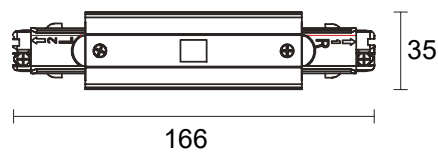
## Description

The middle connector comes in white and black: the white version combines durability with a sleek design for reliable connections in 3-phase track systems, while the black one ensures secure, clean connections to enhance lighting installations in such systems. Protection class: I, Protection rating: IP20, Voltage: 220-250VAC. Article number: PRO-0434-W, PRO-0434-B.

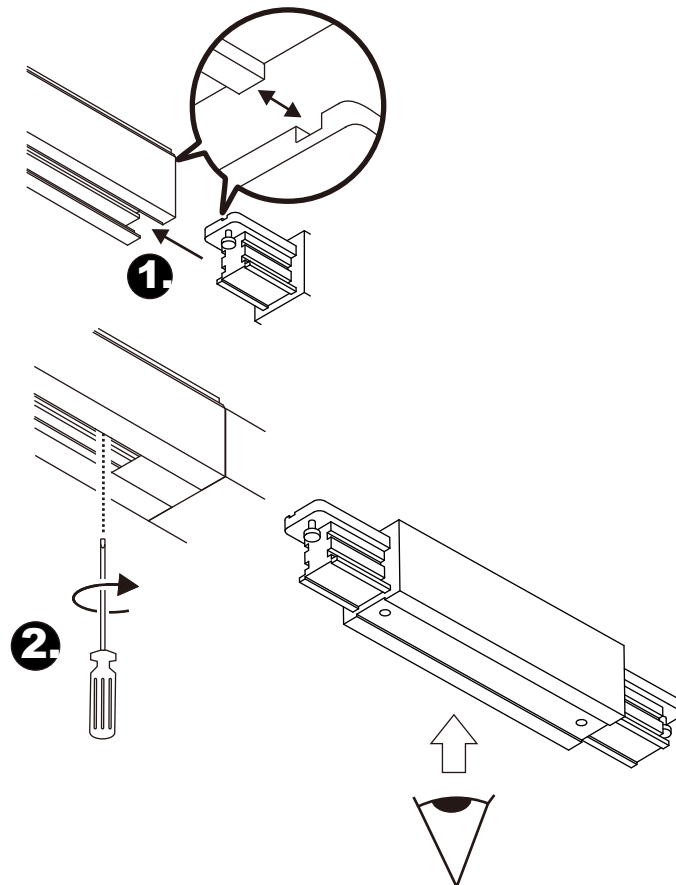
## 3 Phase track middle connector

Size	35 mm x 166 mm
Protective class	1
Material	Polycarbonate
IP Rating	IP20
Voltage	220-250V
Current	max.16A
Frequency	50/60Hz
Weight(kg)	0.11

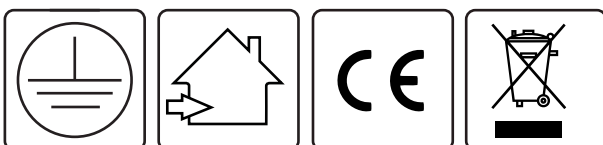
## Technical drawing



## Installation diagram



Color	Art.No
○	PRO-0434-W
●	PRO-0434-B



**Disclaimer**  
All technical data as well as weight and dimension specifications are based on standard values and have been carefully prepared. We reserve the right to make technical changes at any time to reflect progress. Product images are for illustrative purposes and may differ from the original. Errors excepted.  
As of: 11/06/2025. Orders are subject to our General Terms and Conditions of Sale, available at <https://www.vysnlighting.com/de/pages/agb>