

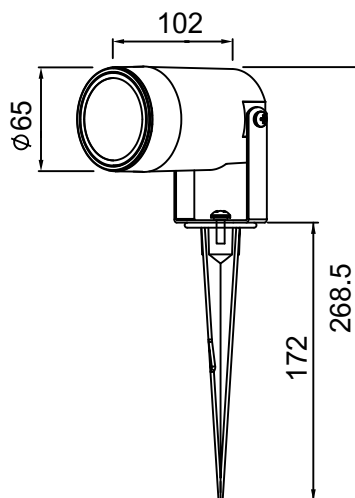
Description

The Atuh Earthspike is a compact and versatile garden Spot. Atuh has a GU10 socket and a timeless design. It supports one bulb with a maximum of 8W. Thanks to its IP65 protection rating, it is weather-resistant and ideal for outdoor use. With its sturdy ground spike, 1,5 m long cable, and Schuko plug the Atuh outdoor spot is perfect for both accent lighting and functional illumination of plants, trees and house facades. Atuh is seaside resistant and can be positioned flexibly, installed easily and securely fixed in the soil. Protection class: I, Protection rating: IP65, Voltage: 220-240V AC. Article number: V212001N9B.

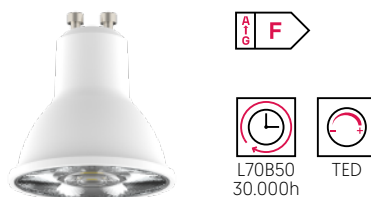
Atuh small, Earthspike

Size	65x102x268.5mm
Socket	GU10
Compatible with Bulb Type	PAR51
Number of Sockets	1
MAX Wattage	8W
Protective class	1
Material	Glass,Aluminum
IP Rating	IP65
Length of Earthspike	172mm
Cable length	1500mm
Cable Type	H05RN-F*1.0mm ²
Plug Type	VDE plug (Schuko)
Voltage	220-240V
Frequency	50/60Hz
Installation	Earthspike
Weight(kg)	0.52

Technical drawing

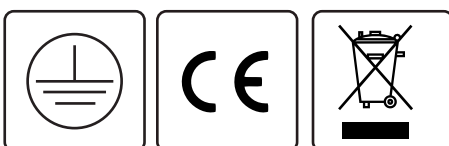


Recommended lamp



LED PAR51, GU10, 7W, 36°

Energy Consumption	7KWh/1000h	
Lumen	Kelvin	Art.No
510lm	2700K	V725736T2W
530lm	3000K	V725736T3W



Disclaimer
All technical data as well as weight and dimension specifications are based on standard values and have been carefully prepared. We reserve the right to make technical changes at any time to reflect progress. Product images are for illustrative purposes and may differ from the original. Errors excepted.
As of: 08/04/2025. Orders are subject to our General Terms and Conditions of Sale, available at <https://www.vysnlighting.com/de/pages/agb>