

Datasheet



Bekale 100, Highbay Eco

Size	152 mm x 230 mm
Lumen	15.000lm
LED Type	SMD
Wattage	100W
CCT	4000K
Protective class	1
LED Chip lifetime	50.000h
Material	Aluminum
Driver	on/off included
SDCM	<6
CRI	80
Efficiency (lm/w)	150
IP Rating	65
Voltage	220-240V
Frequency	50/60 Hz
Installation	Surface
Working temperature	-30°C to 45°C
Beam angle	90°
Weight (kg)	2.0
IK	08

Color	Art.No
●	V103201A4B

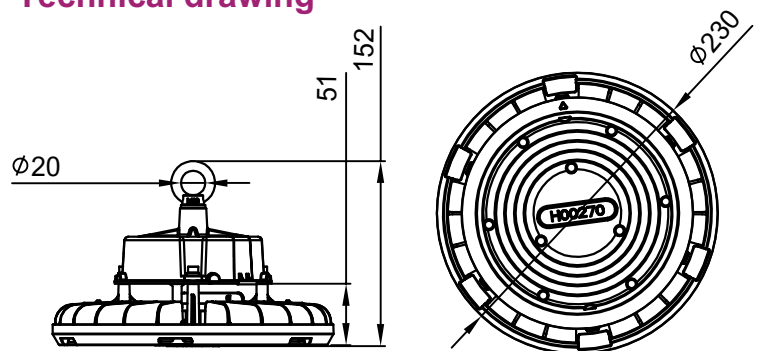
Accessories



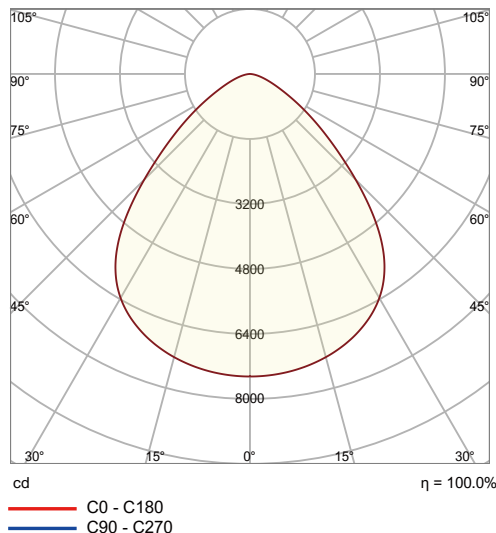
Description

Bekale 100, 152x230mm, 100W, IP65, SMD LED, 4000K, CRI>80, incl. on/off driver.
The Bekale Highbay provides efficient, general lighting for industrial and commercial and applications like warehouses, workshops and production halls and any areas requiring homogeneous and direct illumination with high lumen output. IP65, IK08. Protection class: I.
Voltage: 220-240V AC. Beam angle: 90°. Lifespan: 50.000 hours.
Article number: V103201S4B.

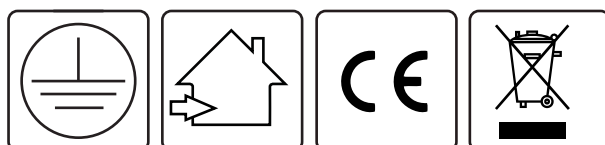
Technical drawing



Light Distribution



Bracket for Bekale100, Eco	Art.No	Color
	V832102N0B	●



Disclaimer
All technical data as well as weight and dimension specifications are based on standard values and have been carefully prepared. We reserve the right to make technical changes at any time to reflect progress. Product images are for illustrative purposes and may differ from the original. Errors excepted.
As of: 13/03/2025. Orders are subject to our General Terms and Conditions of Sale, available at <https://www.vysnlighting.com/de/pages/agb>