



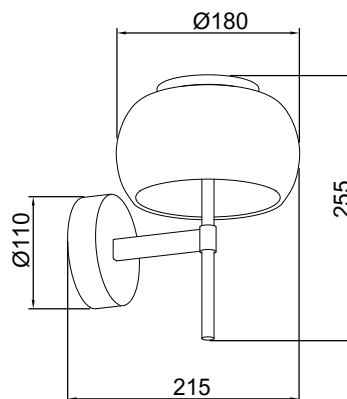
Bounto W

Description

Bounto W is suitable for wall installation. It is equipped with SMD LEDs, delivering 280lm of luminous flux while consuming 9W of power. With a dim - to - warm function, the color temperature can be adjusted from 1800K to 3000K, creating a warm lighting atmosphere. Made of iron and glass, it features a sleek design. It also includes a Triac (TED) driver and has a CRI of 90, with an efficacy of 31lm/w. It operates at a frequency of 50/60Hz. Protection class: I, Protection rating: IP20. Voltage: 220-240V AC, lifespan: 50.000 hours. Article number: V101001T1B.

Size	255x180x215mm
Lumen	280lm
LED Type	SMD
Wattage	9W
Dim to warm	1800-3000K
Protective class	1
LED Chip lifetime	50.000h
Material	Iron, Glass
Driver	Triac (TED) included
SDCM	<6
CRI	90
Efficacy (lm/w)	31
IP Rating	IP20
Voltage	220-240V
Frequency	50/60Hz
Installation	Wall
Weight(kg)	0.98

Technical drawing

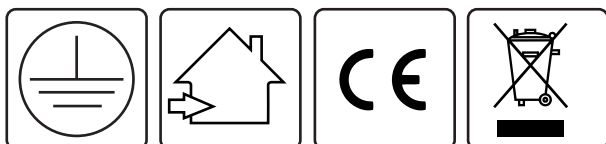


Color

Art.No



V101001T1B



Disclaimer
All technical data as well as weight and dimension specifications are based on standard values and have been carefully prepared. We reserve the right to make technical changes at any time to reflect progress. Product images are for illustrative purposes and may differ from the original. Errors excepted.
As of: 20/10/2025. Orders are subject to our General Terms and Conditions of Sale, available at <https://www.vysnlighting.com/de/pages/agb>