



Drey 35W

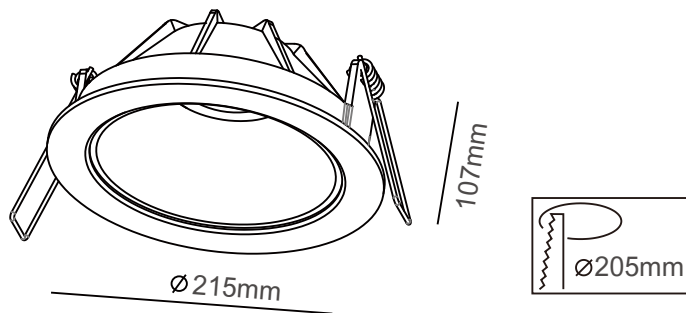
Description

The Drey 35W downlight provides efficient and focused lighting with a sleek design, perfect for residential or commercial spaces, featuring a 3000K warm light tone..

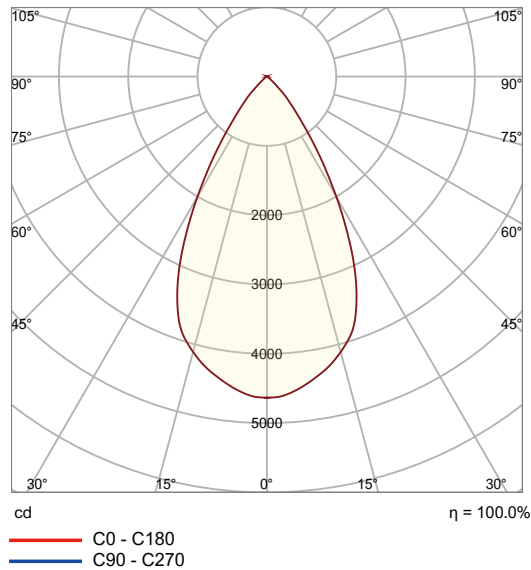
Protection rating: IP20, Beam angle: 60°, lifespan: 50.000 hours.

Article number: V104002T3W, V104002N3W.

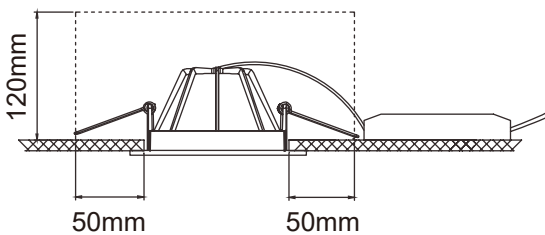
Technical drawing



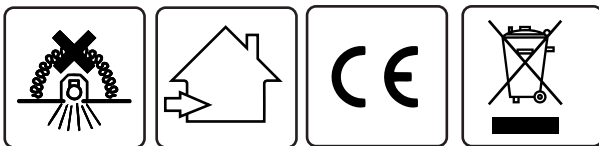
Light Distribution



Size	215mm x 107mm
LED Type	COB
Wattage	35W
CCT	3000K
LED Chip lifetime	50.000h
Material	Aluminum
SDCM	<3
CRI	80
IP Rating	IP20
Installation	Recessed
Shape of cut-out	Round
Installation Diameter	205mm
Installation Depth	120mm
Beam angle	60°
Weight	0.83



Driver included	Lumen	Efficacy(lm/w)	Protective class	Voltage	Art.No	Color
Triac (TED)	3820lm	109	2	220-240V~ 50/60Hz	V104002T3W	○
No	3893lm	111	3	36VDC	V104002N3W	○



Disclaimer
All technical data as well as weight and dimension specifications are based on standard values and have been carefully prepared. We reserve the right to make technical changes at any time to reflect progress. Product images are for illustrative purposes and may differ from the original. Errors excepted.
As of: 19/05/2025. Orders are subject to our General Terms and Conditions of Sale, available at <https://www.vysnlighting.com/de/pages/agb>