



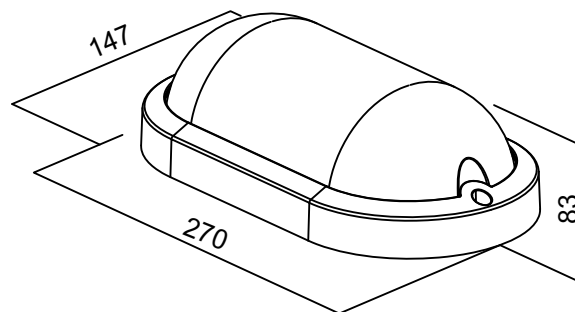
Description

Etto is a modern interpretation of a classical construction light. Etto is applicable for wall and ceiling installation, featuring a powerful built-in LED module. In addition to its black housing, Etto is equipped with a rounded polycarbonate cover that ensures uniform light distribution. With its IP54 protection rating, this fixture is suitable for use in bathrooms and outdoor spaces. Thanks to the integrated LED driver, Etto is ready for direct connection to a 230V power supply. Its warm white light 2700 K makes it an impressive choice for both private and commercial settings, especially for ceilings and walls at balconies, terraces, entrance areas, garages, hallways, staircases, bathrooms, workshops and basements, ensuring long-term use. Etto is seaside proofed to ensure long-term outdoor use near coasts. Protection class: I, Protection rating: IP54. Voltage: 220-240V AC, Beam angle: 120°, lifespan: 50.000 hours. Article number: V201002A2B.

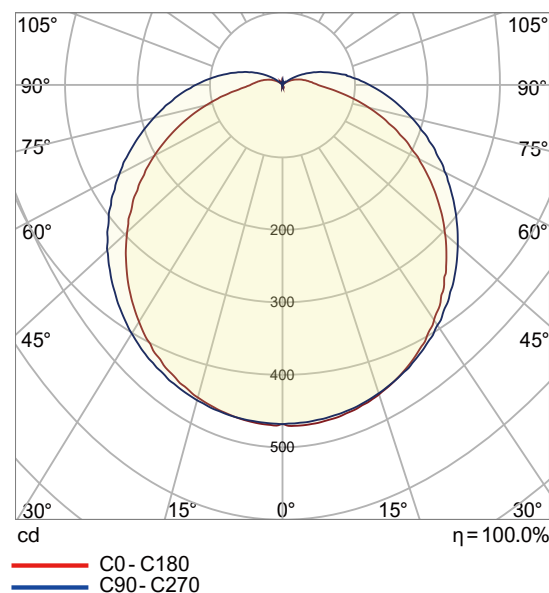
Etto LED Wall Light L

Size	83x147x270mm
Lumen	1750lm
LED Type	SMD
Wattage	20W
CCT	2700K
Protective class	1
LED Chip lifetime	50.000h
Material	Polycarbonate, Aluminum
Driver	on/off included
SDCM	<6
CRI	80
Efficacy (lm/w)	88
IP Rating	IP54
Voltage	220-240V
Frequency	50/60Hz
Installation	Ceiling/Wall
Beam angle	120°
Weight(kg)	0.81

Technical drawing



Light Distribution

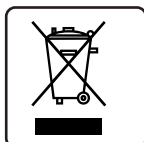
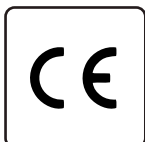


Color

Art.No



V201002A2B



Disclaimer
All technical data as well as weight and dimension specifications are based on standard values and have been carefully prepared. We reserve the right to make technical changes at any time to reflect progress. Product images are for illustrative purposes and may differ from the original. Errors excepted.
As of: 08/04/2025. Orders are subject to our General Terms and Conditions of Sale, available at <https://www.vysnlighting.com/de/pages/agb>