



InGround Spot L

Size	175 x 175 x 136mm	
Lumen	2100lm	
LED Type	COB	
Wattage	20W	
CCT	2700K	
Protective class	1	
LED Chip lifetime	50.000h	
Material	Stainless steel, Aluminum	
Driver	Triac (TED) included	
SDCM	<6	
CRI	80	
Efficacy (lm/w)	105	
IP Rating	IP67	
IK	08	
Cable entry diameter	6-11mm	
Voltage	220-240V	
Frequency	50/60Hz	
Installation	Ground recessed	
Beam angle	10°	

Round	Weight(kg)	Art.No
	1.74	V211003T2I
Square		
	1.89	V211300T2I

Description

InGround Spot L is perfect for highlighting bigger trees, plants and decorative objects in gardens. Because of their Lumen package, they can also be used to illuminate walls and facades or private walkways and driveways. Cost-effective and durable thanks to LED technology with a warm white colour temperature of 2700 K. Trim ring made of stainless steel, Glass cover, with Triac dimmable driver. Usable in restricted accessible areas (walkable for pedestrians and driver-over for pedal cycles only).

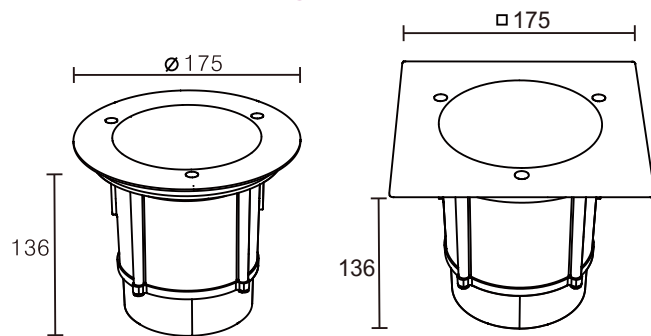
We recommend using the InGround mounting pot L.

Protection class: I, Protection rating: IP67.

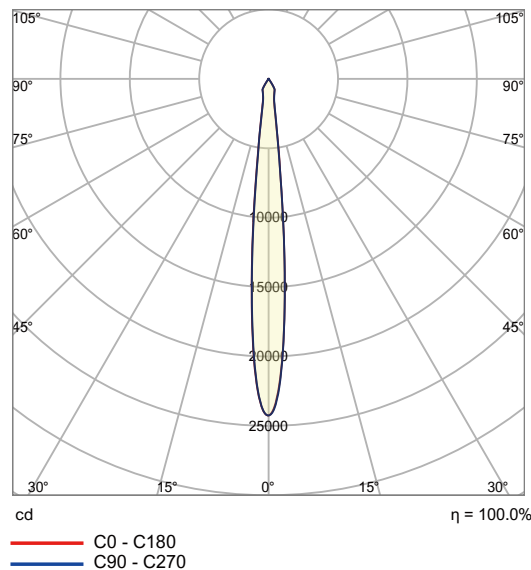
Voltage: 220-240V AC, Beam angle: 10°, lifespan: 50.000 hours.

Article number: V211003T2I, V211300T2I.

Technical drawing



Light Distribution



Accessories

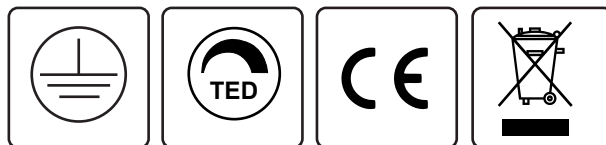


InGround mounting pot L

Art.No

Color

V211002N0B



Disclaimer

All technical data as well as weight and dimension specifications are based on standard values and have been carefully prepared. We reserve the right to make technical changes at any time to reflect progress. Product images are for illustrative purposes and may differ from the original. Errors excepted.

As of: 16/04/2025. Orders are subject to our General Terms and Conditions of Sale, available at <https://www.vysnlighting.com/de/pages/agb>