



InGround Spot M

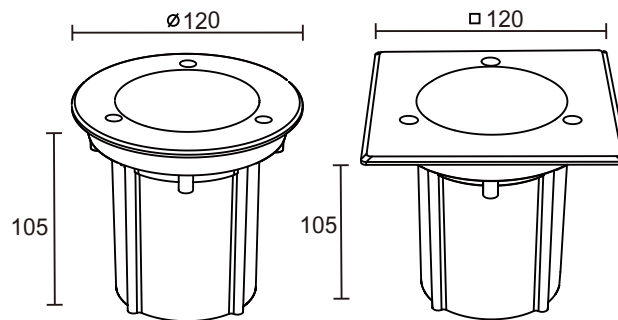
Size	120 x 120 x 105mm
Lumen	520lm
LED Type	COB
Wattage	6W
CCT	2700K
Protective class	1
LED Chip lifetime	50.000h
Material	Stainless steel, Aluminum
Driver	Triac (TED) included
SDCM	<6
CRI	80
Efficacy (lm/w)	87
IP Rating	IP67
IK	08
Cable entry diameter	6-11mm
Voltage	220-240V
Frequency	50/60Hz
Installation	Ground recessed
Beam angle	15°

Round	Weight(kg)	Art.No
	0.83	V211001T2I
Square		
	0.91	V211100T2I

Description

InGround Spot M is perfect for highlighting trees, plants and decorative objects in private gardens. They can also be used to accentuate walls and facades or give guidance beside private walkways and driveways. Cost-effective and durable thanks to LED technology with a warm white colour temperature of 2700 K. Trim ring made of stainless steel, Glass cover, with Triac dimmable driver. Usable in restricted accessible areas (walkable for pedestrians and driver-over for pedal cycles only). We recommend using the InGround mounting pot M. Protection class: I, Protection rating: IP67. Voltage: 220-240V AC, Beam angle: 15°, lifespan: 50.000 hours. Article number: V211001T2I, V211100T2I.

Technical drawing

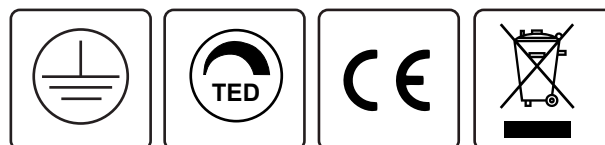


Accessories



InGround mounting pot M

Art.No	Color
V211001N0B	●



Disclaimer
All technical data as well as weight and dimension specifications are based on standard values and have been carefully prepared. We reserve the right to make technical changes at any time to reflect progress. Product images are for illustrative purposes and may differ from the original. Errors excepted.
As of: 16/04/2025. Orders are subject to our General Terms and Conditions of Sale, available at <https://www.vysnlighting.com/de/pages/agb>