



LED-Panel Vling 600

Size	595x595x26mm
Lumen	4800lm
LED Type	SMD
Wattage	40W
CCT switch	3000/4000K
UGR	<19
Protective class	2
LED Chip lifetime	50.000h
Material	Plastic,Aluminum
Driver	on/off included
SDCM	<5
CRI	80
Efficiency (lm/w)	120
IP Rating	20
Voltage	220-240V
Frequency	50/60 Hz
Installation	Recessed
Beam angle	90°
Weight (kg)	1.67

Color	Art.No
○	V104600A7W

Description

Vling LED Panel 600, 595x595x26mm, UGR<19, 40W, IP20, SMD LED, 3000/4000K, CRI>80, incl. on/off driver.

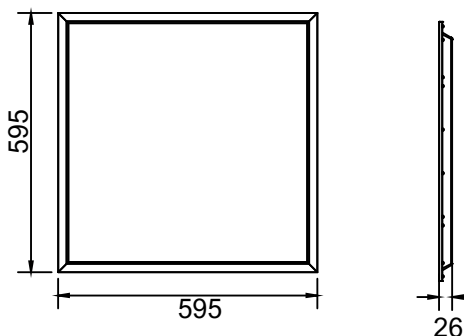
The Vling LED Panel provides efficient, glare-free ambient and general lighting for office spaces, architectural applications, and any areas requiring homogeneous and direct illumination like office buildings, light ceilings, corridors, public buildings, schools, medical practice and more. The panels can be installed in grid ceilings or used with accessories such as a surface mounted frame for ceiling mounting or a pendant set for suspension.

Room-side protection class: IP20. Protection class: II.

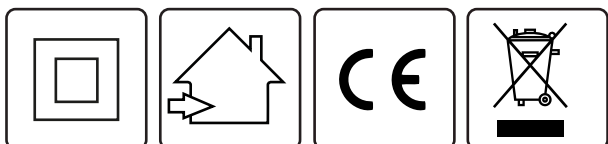
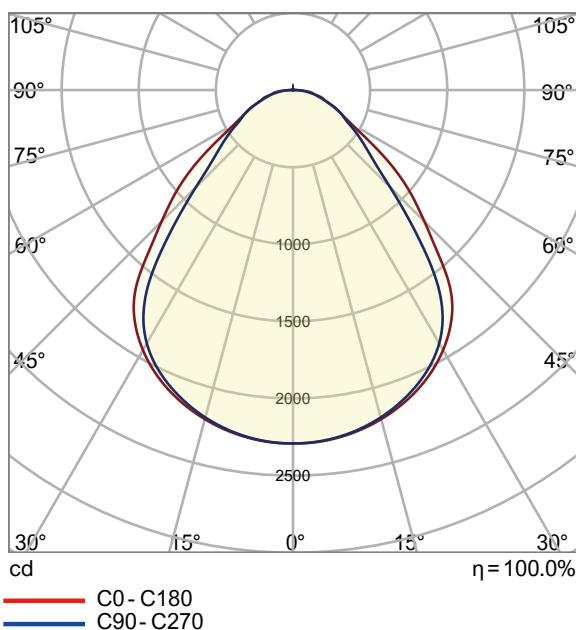
Voltage: 220-240V AC. Beam angle: 90°. Lifespan: 50.000 hours.

Article number: V104600A7W.

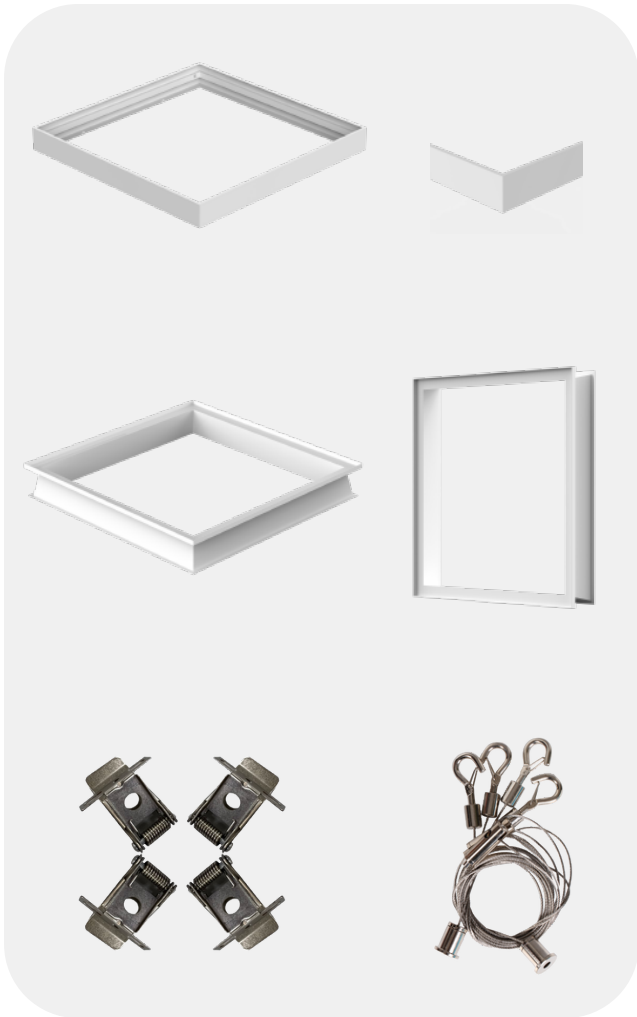
Technical drawing



Light Distribution



Accessories



Surface Mounting Kit	Art.No	Color
Vling Mounted Frame 600	V832601N0W	○

Recessed Frame	Art.No	Color
Vling Deep Frame 600	V832600N0W	○

Suspension Kit	Art.No	Color
Vling clips, set 4	V832007N0I	●
Vling Suspension Kit, 3m, 2 pcs	V832001N0I	●

Suspension Kit can be used without frame.

See more details on [vysnlighting.com](https://www.vysnlighting.com)

Disclaimer

All technical data as well as weight and dimension specifications are based on standard values and have been carefully prepared. We reserve the right to make technical changes at any time to reflect progress. Product images are for illustrative purposes and may differ from the original. Errors excepted.
As of: 13/03/2025. Orders are subject to our General Terms and Conditions of Sale, available at <https://www.vysnlighting.com/de/pages/agb>