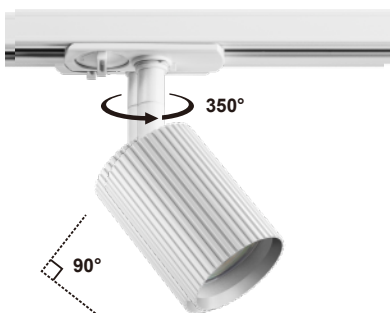


Onis 1 phase spot

Size	83x58x147mm
Socket	GU10
Compatible with Bulb Type	PAR51
Number of Sockets	1
Wattage	max. 8W
Protective class	2
Material	Aluminum
IP Rating	IP20
Voltage	220-240V
Frequency	50/60Hz
Installation	Track
Weight(kg)	0.18

Color	Art.No
○	V114001N9W
●	V114001N9B
●●	V114001N9BG

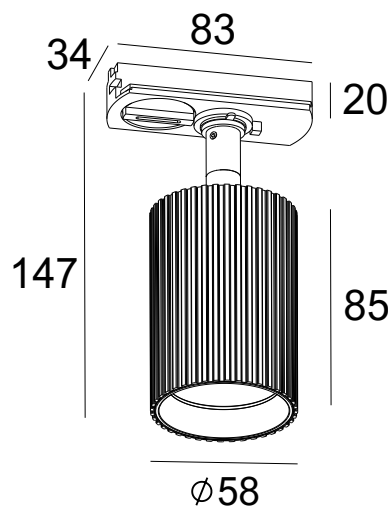


Description

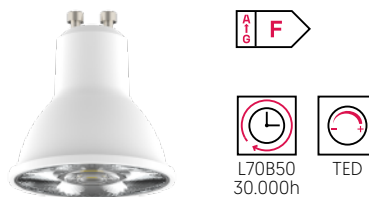
The Onis PAR51 trackspots, available in white, black, and a sophisticated black-and-gold finish, are designed for 1-phase track systems. Each with a maximum power of 8W, these trackspots blend seamlessly into modern interiors, offering focused, energy-efficient illumination and stylish, functional lighting accents for both residential and commercial spaces.

Protection class: II, Protection rating: IP20, Voltage: 220-240VAC.
Article number: V114001N9W, V114001N9B, V114001N9BG.

Technical drawing



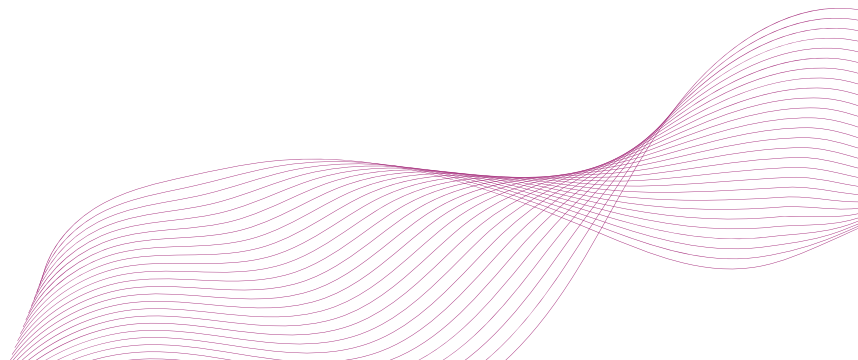
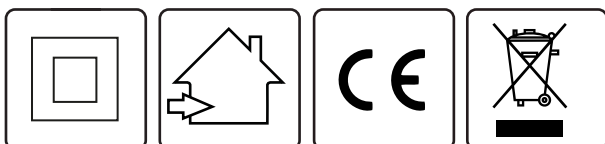
Recommended lamp



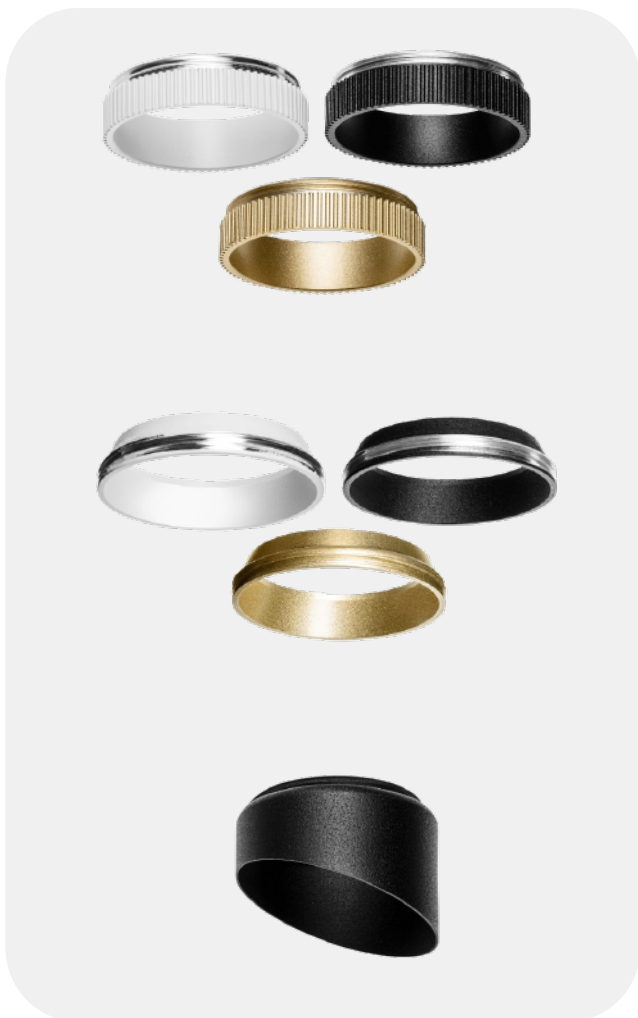
LED PAR51, GU10, 7W, 36°

Energy Consumption 7KWh/1000h

Lumen	Kelvin	Art.No
510lm	2700K	V725736T2W
530lm	3000K	V725736T3W



Accessories



Onis Ring

Art.No	Color
V832200N0W	○
V832200N0B	●
V832200N0G	●

Onis Ring In*

Art.No	Color
V832201N0W	○
V832201N0B	●
V832201N0G	●

* Standard color included.

Onis Shade

Art.No	Color
V832400N0B	●



See more details on [vysnlighting.com](https://www.vysnlighting.com)

Disclaimer

All technical data as well as weight and dimension specifications are based on standard values and have been carefully prepared. We reserve the right to make technical changes at any time to reflect progress. Product images are for illustrative purposes and may differ from the original. Errors excepted.

As of: 02/06/2025. Orders are subject to our General Terms and Conditions of Sale, available at

<https://www.vysnlighting.com/de/pages/agb>