

Description

The Sass S LED comes with On/Off and CCT switch functions, offering practical adjustable wall lighting, while the Sass M LED features a Triac dimmable function along with a CCT switch for versatile, efficient wall lighting.

Protection class: I, Protection rating: IP20.

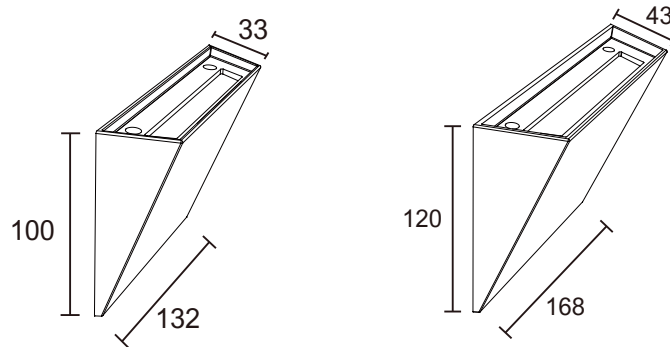
Voltage: 220-240V AC, lifespan: 50.000 hours.

Article number: V102001A7W, V102002T7W.

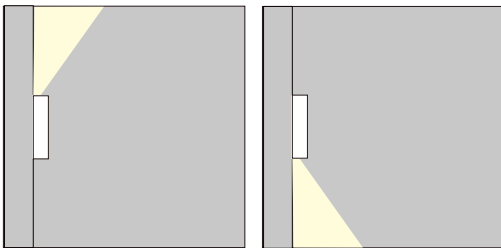
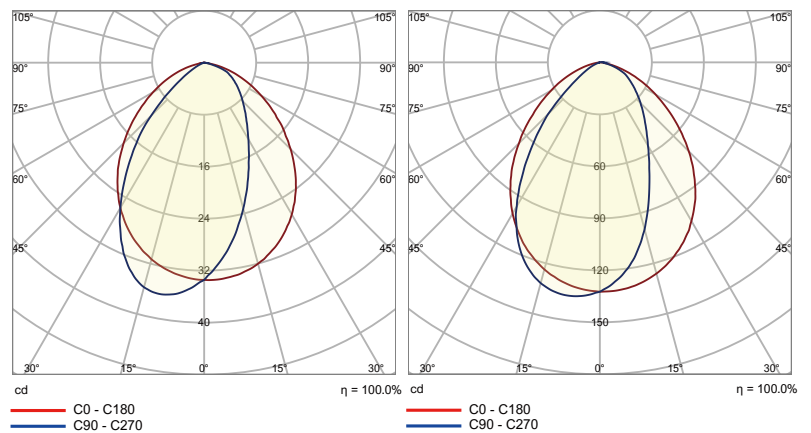
Sass LED

LED Type	SMD
CCT switch	2700/3000K
Protective class	1
LED Chip lifetime	50.000h
Material	Aluminum
SDCM	<6
CRI	90
IP Rating	IP20
Voltage	220-240V
Frequency	50/60Hz
Installation	Wall

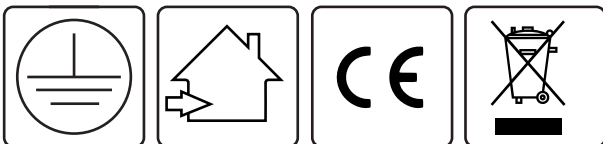
Technical drawing



Light Distribution



	Size	Lumen	Wattage	Efficacy(lm/w)	Driver incl.	Weight(kg)	Art.No	Color
Sass S	132x100x33mm	60lm	2	30	on/off	0.24	V102001A7W	○
Sass M	168x120x43mm	230lm	4.5	51	Triac(TED)	0.39	V102002T7W	○



Disclaimer

All technical data as well as weight and dimension specifications are based on standard values and have been carefully prepared. We reserve the right to make technical changes at any time to reflect progress. Product images are for illustrative purposes and may differ from the original. Errors excepted.

As of: 20/05/2025. Orders are subject to our General Terms and Conditions of Sale, available at <https://www.vysnlighting.com/de/pages/agb>