



Description

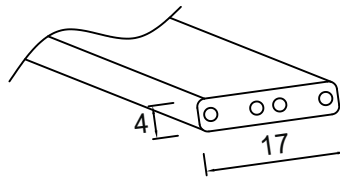
The Sky Rail 10m includes cabling, offering an easy-to-install solution for track lighting systems.

Article number: V119100N0B.

Sky Rail 100m

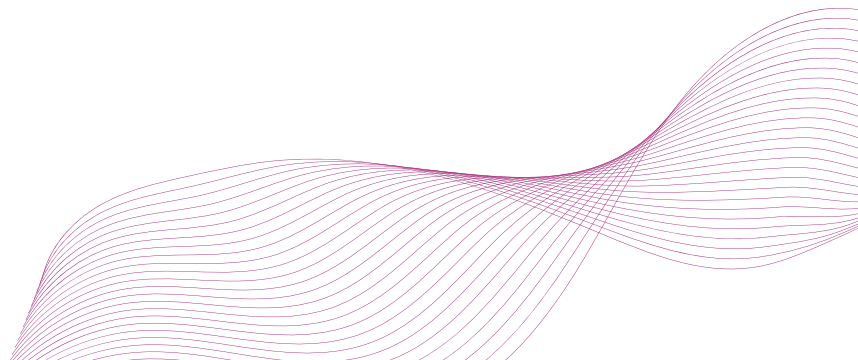
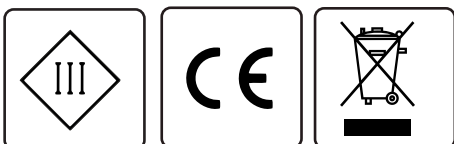
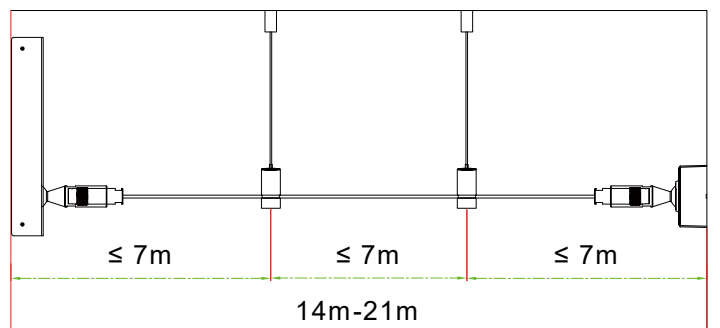
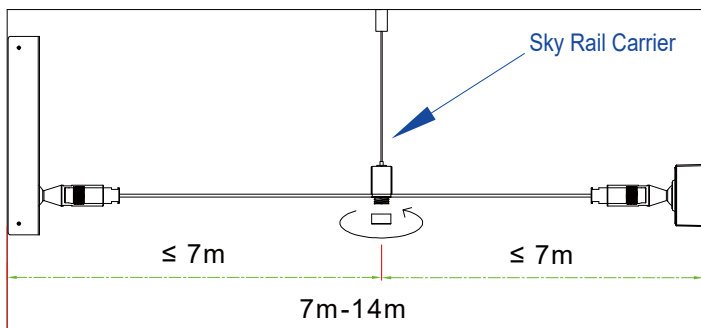
Size	100000x17x4mm
Protective class	3
Material	Silicone Rubber
Voltage	48VDC
Current	max.10A
Installation	Ceiling/Wall
Weight(kg)	11.4

Technical drawing



Installation diagram

Color	Art.No
●	V119100N0B



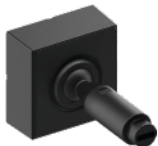
Accessories



Carrier SET	
Size	Ø26x46mm
Cable Length	2000mm
Color	Art.No
● Black	V121007N0B



Carrier (short)	
Size	Ø26x46mm
Color	Art.No
● Black	V121002N0B



Tensioner & Feedin	
Size	86.2x86.2x155-185mm
Color	Art.No
● Black	V121009N0B



Deflector	
Size	86.2x86.2x66.2mm
Color	Art.No
● Black	V121010N0B



Feedin / Mini Connector	
Size	167.5x33x70mm
Color	Art.No
● Black	V121006N0B



Cut Tool	
Size	130x22.5x6.5mm
Color	Art.No
● Black	V121008N0B



Floor & Ceiling Feedinbox (incl. Driver and Powercord)	
Size	200x113mm
Color	Art.No
● Black	V121150A0B



Wall-Feedinbox (excl. Driver, incl. Mecanical Tensioner)	
Size	300x107x160-190mm
Color	Art.No
● Black	V121150N0B

See more details on [vysnlighting.com](https://www.vysnlighting.com)

Disclaimer

All technical data as well as weight and dimension specifications are based on standard values and have been carefully prepared. We reserve the right to make technical changes at any time to reflect progress. Product images are for illustrative purposes and may differ from the original. Errors excepted.

As of: 14/08/2025. Orders are subject to our General Terms and Conditions of Sale, available at

<https://www.vysnlighting.com/de/pages/agb>