



Sky Rail Tensioner & Feedin

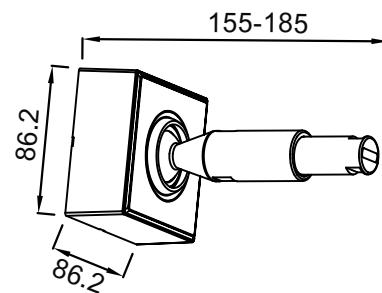
Size	86.2x86.2x155 -185mm
Material	Aluminum/stainless steel
IP Rating	IP20
Weight(kg)	0.400

Description

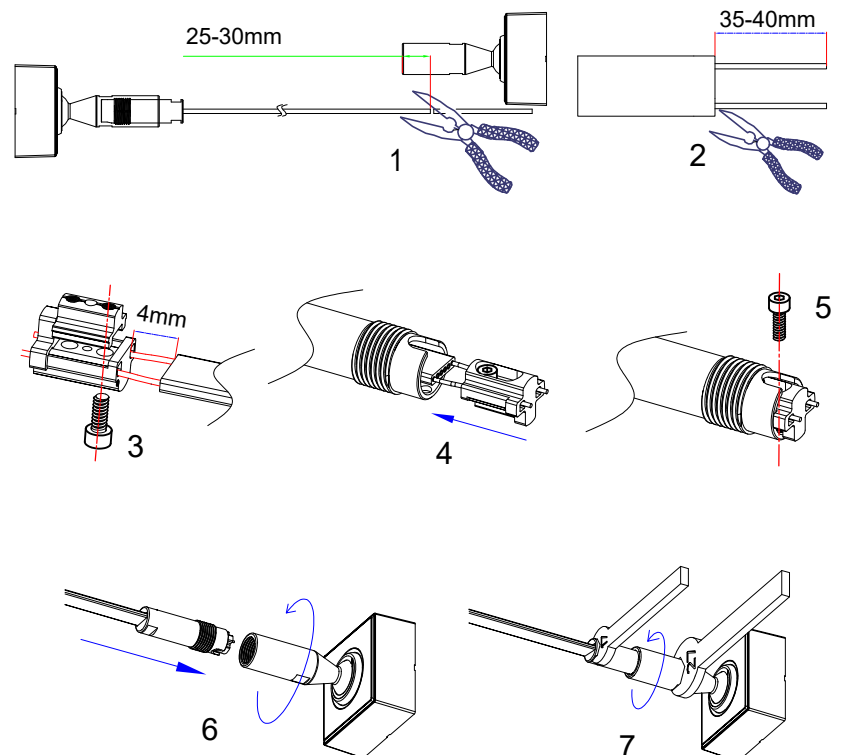
The Sky Rail Tensioner & Feedin offers a secure and efficient way to manage connections in Sky Rail track systems.

Article number: V121009N0B.

Technical drawing



Installation digram

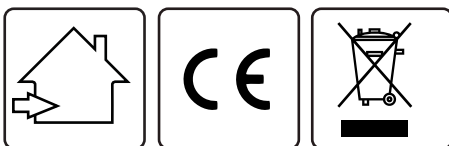


Color

Art.No



V121009N0B



Disclaimer

All technical data as well as weight and dimension specifications are based on standard values and have been carefully prepared. We reserve the right to make technical changes at any time to reflect progress. Product images are for illustrative purposes and may differ from the original. Errors excepted.

As of: 15/08/2025. Orders are subject to our General Terms and Conditions of Sale, available at

<https://www.vysnlighting.com/de/pages/agb>