

Sott LED

Description

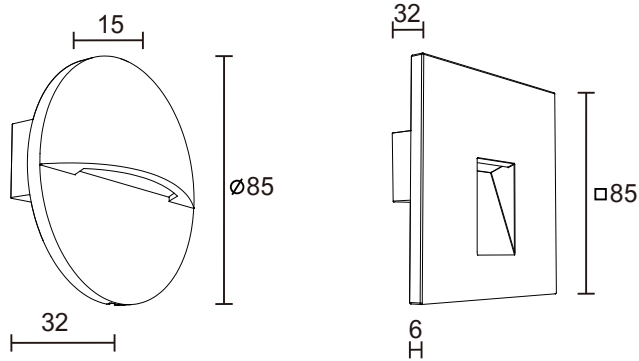
The Sott R offers indirect, warm lighting with on/off functionality at 2700K and is ideal for modern wall-mounted designs, while the Sott S provides a square, indirect lighting solution also at 2700K, making it perfect for stylish wall lighting.

Protection class: II, Protection rating: IP20.

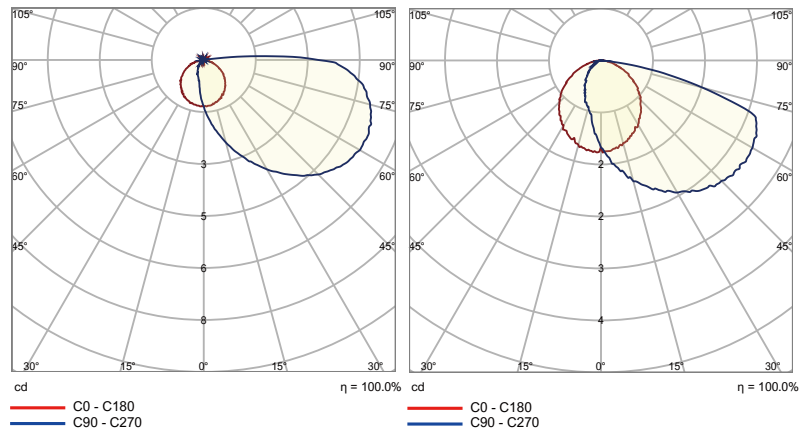
Voltage: 220-240V AC, lifespan: 50.000 hours.

Article number: V102111A2W, V102211A2W.

Technical drawing



Light Distribution

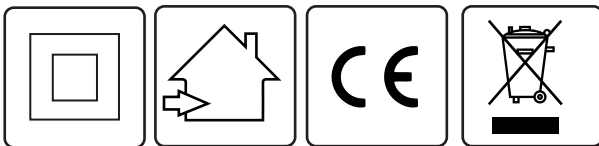


Size	85mm x 32mm
LED Type	SMD
Wattage	2W
CCT	2700K
Protective class	2
LED Chip lifetime	50.000h
Material	Aluminum
Driver	on/off included
CRI	90
IP Rating	IP20
Voltage	220-240V
Frequency	50/60Hz
Installation	Wall recessed



Fits into flush-mounting box of 68mm (not included).

	Lumen	Efficacy(lm/w)	Weight(kg)	Art.No	Color
Round	11lm	6	0.10	V104002T3W	○
Square	5lm	3	0.11	V104002N3W	○



Disclaimer
All technical data as well as weight and dimension specifications are based on standard values and have been carefully prepared. We reserve the right to make technical changes at any time to reflect progress. Product images are for illustrative purposes and may differ from the original. Errors excepted.
As of: 20/05/2025. Orders are subject to our General Terms and Conditions of Sale, available at <https://www.vysnlighting.com/de/pages/agb>