



TRACK SPOT PRO L

Size	90mm x 110mm
Lumen	1680lm
LED Type	COB
Wattage	14W
CCT	3000K
UGR	/
Protective class	2
LED Chip lifetime	50.000h
Material	Aluminum
Driver	Triac (TED) included
SDCM	<6
CRI	90
Efficacy (lm/w)	120
IP Rating	IP20
Voltage	220-240V
Frequency	50/60Hz
Installation	Track
Beam angle	36°
Weight(kg)	0.66

Color	Art.No
○	V114022T3W
●	V114022T3B

Description

Pro 1-Phase Track Spot, rotatable and pivotable, dimmable, 110x90mm, rated power 14W, IP20, 1680 lm, COB LED, 3000K, CRI >90, incl. Triac (TED) driver.

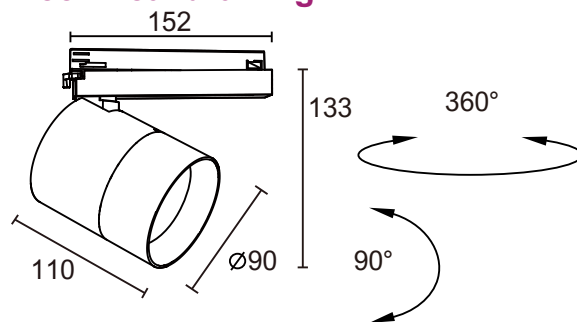
Track spotlight for installation in 1-phase tracks. Efficient lighting for living spaces, hallways, and small retail areas where a rotationally symmetric deep-narrow-wide beam light distribution is required. Suitable for all areas where direct illumination and easy adjustment of the lighting to the usage and the conditions of the rooms is desired.

Protection class: II, Protection rating: IP20.

Voltage: 220-240V AC, Beam angle: 36°, lifespan: 50.000 hours.

Article number: V114022T3W, V114022T3B.

Technical drawing



Accessories



Honeycomb for trackspot 1-Phase	Art.No	Color
	V115099N0B	●



Disclaimer

All technical data as well as weight and dimension specifications are based on standard values and have been carefully prepared. We reserve the right to make technical changes at any time to reflect progress. Product images are for illustrative purposes and may differ from the original. Errors excepted.

As of: 13/03/2025. Orders are subject to our General Terms and Conditions of Sale, available at <https://www.vysnlighting.com/de/pages/agb>