



TEVO 2 LED

| | |
|-------------------|----------------------|
| Size | 260x60x134mm |
| Lumen | 1550lm |
| LED Type | SMD |
| Wattage | 2x8W |
| CCT | 2700K |
| Protective class | 1 |
| LED Chip lifetime | 50.000h |
| Material | Aluminum |
| Driver | Triac (TED) included |
| SDCM | <6 |
| CRI | 90 |
| Efficiency (lm/w) | 97 |
| IP Rating | 20 |
| Voltage | 230V |
| Frequency | 50 Hz |
| Installation | Ceiling/Wall |
| Beam angle | 30° |
| Weight (kg) | 0.85 |

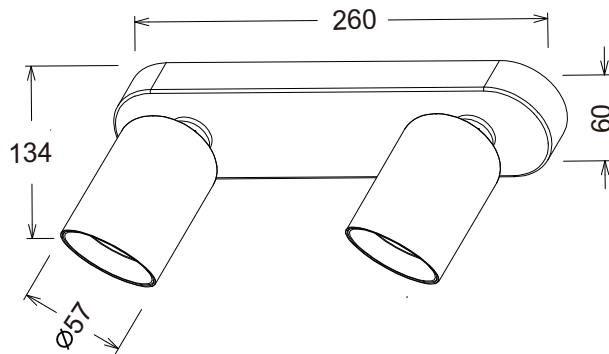
| Color | Art.No |
|-------|------------|
| ○ | V103400T2W |
| ● | V103400T2B |

Description

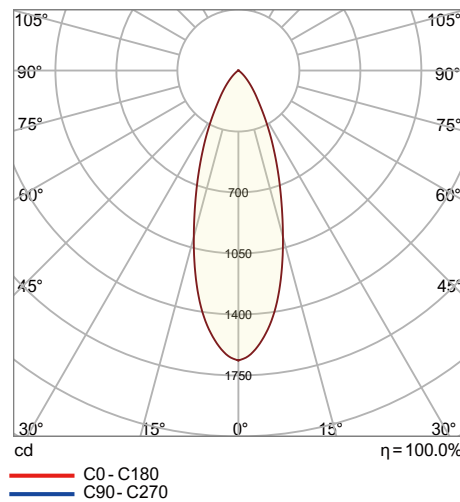
The Tevo 2 LED comes in white and black, offering bright dual-spot illumination with a sleek finish in the former and delivering focused dual-spot lighting for contemporary interiors in the latter.

Room-side protection class: IP20. Protection class: I.
Voltage: 230V AC. Beam angle: 30°. Lifespan: 50.000 hours.
Article number: V103400T2W, V103400T2B.

Technical drawing



Light Distribution



Accessories

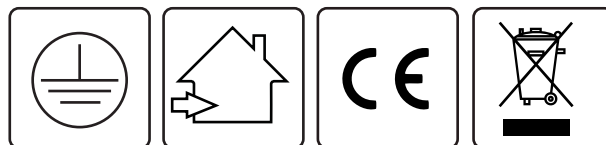


Tevo LED Deco Ring *

| Art.No | Color |
|------------|-------|
| V132001N0G | ● |
| V132001N0B | ● |

* Standard color included.

Only fits to Tevo Spot LED and Tevo Pendant LED.



Disclaimer

All technical data as well as weight and dimension specifications are based on standard values and have been carefully prepared. We reserve the right to make technical changes at any time to reflect progress. Product images are for illustrative purposes and may differ from the original. Errors excepted.

As of: 10/06/2025. Orders are subject to our General Terms and Conditions of Sale, available at <https://www.vysnlighting.com/de/pages/agb>