



## Description

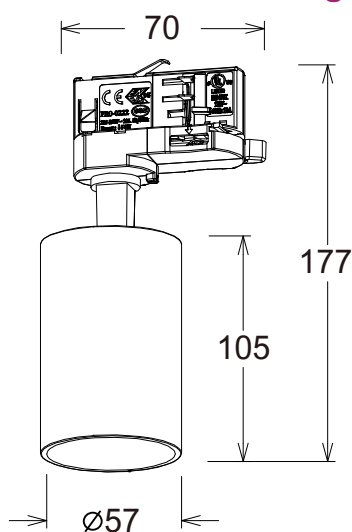
The Tevo 3-Phase GU10, featuring a design with functional lighting for 3-phase track systems and a maximum 8W output, comes in white, providing adaptable spot lighting for professional track systems, and in black, offering focused track lighting with a modern edge.

Protection class: I, Protection rating: IP20, Voltage: 230V AC.  
Article number: V117001N9W, V117001N9B.

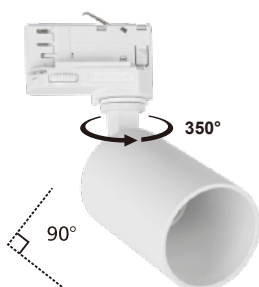
## TEVO 3-Phase GU10

Size	70x177x57mm
Socket	GU10
Compatible with Bulb Type	PAR51
Number of Sockets	1
MAX Wattage	8W
Protective class	1
Material	Aluminum
IP Rating	IP20
Voltage	230V
Frequency	50Hz
Installation	Track
Weight(kg)	0.20

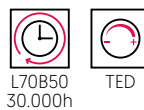
## Technical drawing



Color	Art.No
○	V117001N9W
●	V117001N9B



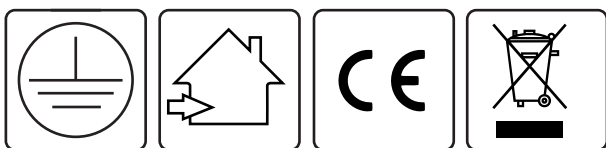
## Recommended lamp



### LED PAR51, GU10, 7W, 36°

Energy Consumption	7KWh/1000h
--------------------	------------

Lumen	Kelvin	Art.No
510lm	2700K	V725736T2W
530lm	3000K	V725736T3W



#### Disclaimer

All technical data as well as weight and dimension specifications are based on standard values and have been carefully prepared. We reserve the right to make technical changes at any time to reflect progress. Product images are for illustrative purposes and may differ from the original. Errors excepted.

As of: 09/06/2025. Orders are subject to our General Terms and Conditions of Sale, available at

<https://www.vysnlighting.com/de/pages/agb>