



Vasari Flex

Size	216mm x 439.6mm
Lumen	40lm
LED Type	SMD
Wattage	4.2W
CCT switch	2700/3000/4000K
Protective class	1
LED Chip lifetime	30.000h
Material	Glass, Polycarbonate, Aluminium
Driver	included
Steering	on/off
SDCM	<6
CRI	90
Efficacy (lm/w)	10
IP Rating	IP44
Voltage	220-240V
Frequency	50/60Hz
Installation	Wall
Weight(kg)	0.92

Description

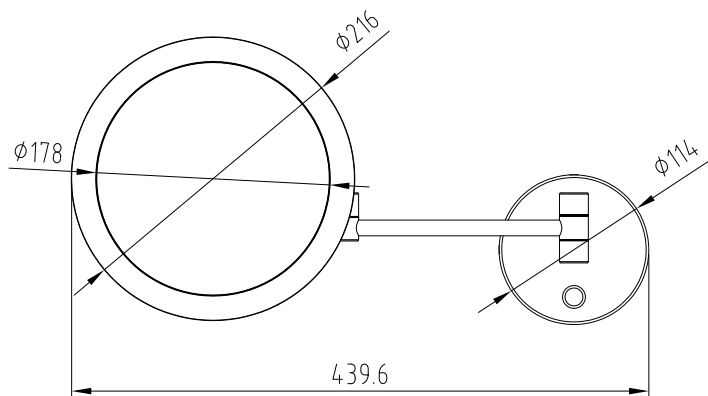
The Vasari Flex mirrorlight offers flexible, dimmable lighting with a CCT switch and sleek design.

Protection class: I, Protection rating: IP44.

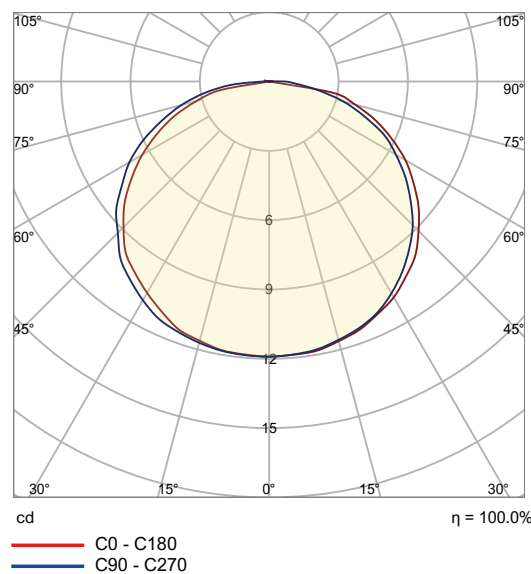
Voltage: 220-240V AC, lifespan: 30.000 hours.

Article number: V101001A7B.

Technical drawing



Light Distribution

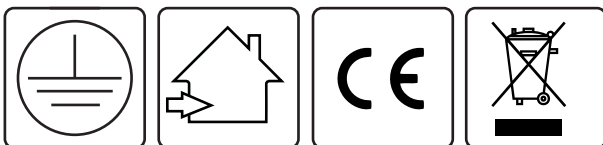


Color

Art.No



V101001A7B



Disclaimer

All technical data as well as weight and dimension specifications are based on standard values and have been carefully prepared. We reserve the right to make technical changes at any time to reflect progress. Product images are for illustrative purposes and may differ from the original. Errors excepted.

As of: 22/05/2025. Orders are subject to our General Terms and Conditions of Sale, available at

<https://www.vysnlighting.com/de/pages/agb>