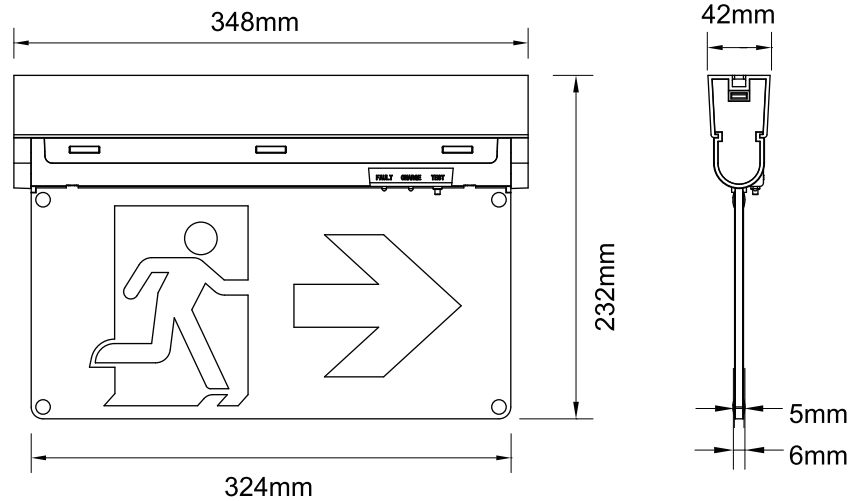


SLIM RUNNING MAN EMERGENCY LIGHT

848728/800291



MODEL LIST:

Model No.	848728/800291
Rated voltage	220-240VAC 50/60Hz
Input Ratings	3W
Power factor	0.45
Input current	30 mA MAX
Battery (LiFePo4)	3.2V 1500mAh
Battery Life	4 years
Battery protection	Overcharging and over discharge protection
Charging time	24 h
Minimum emergency duration	3 h
Degree of protection	IP20
Produced in accordance with	IEC 60598-2-22
Operation temperature range	ta: 0°C-40°C
Guarantee	2 years
Class	Class II
Installation method	Ceiling mounting, Wall mounting
Dimensions	348mm×232mm×42mm

GENERAL:

When Luminaire connect to AC Power, The Battery is charging. In case of AC Power Failure. The luminaire will turn into Emergency Mode Automatically. When the main power supply is restored. It will back to normal operation & start charging.

TEST METHOD

A: Auto Test Period:

Every 30 ± 2days : Performs a 25-35 seconds duration test
 Every 180 ± 10days : Performs a 30-35 minutes duration test
 All test functions are factory preset and do not need field adjustment

B: Indicator Status:

Green Indicator:

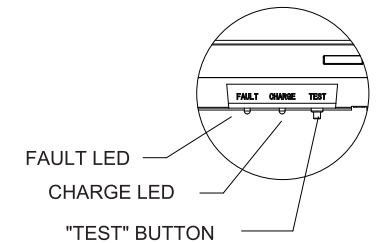
Charging (Green indicator Flashing Slowly)
 Full Charge (Solid Green Indicator)
 Monthly Inspection (25-35 seconds)
 - (Green Indicator Flashing Normally)
 Semi-Annual Inspection (30-35 Minutes)
 - (Green Indicator Flashing Quickly)

Red Indicator:

Battery Disconnected (Red Indicator Flashing Slowly)
 Battery Short Circuit (Red Indicator Flashing Normally)
 LED Disconnected (Red indicator flashing Slowly,
 Green Indicator as usual)
 LED Short Circuit (Red indicator flashing
 Quickly, Green Indicator as usual)

C: Manual Test & Simulate auto test:

Press the TEST switch without release	In the main power state: Enter to Simulate emergency state, release restore to main power.
Press test button twice within 2 seconds	25-35 seconds duration test (Simulate Monthly Test)
Press test button 3 times within 2 seconds	30-35 minutes duration test (Simulate Annual Test)



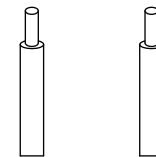
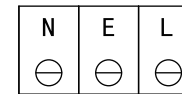
The battery is non-replaceable and when it no longer meet their rated duration of operation after the corresponding recharge period, the whole luminaire needs to be replaced.

For non replaceable light sources:

The light source of this luminaire is not replaceable:when the light source reaches its end of life the whole luminaire shall be replaced

MOUNTING INSTRUCTION

Maintained



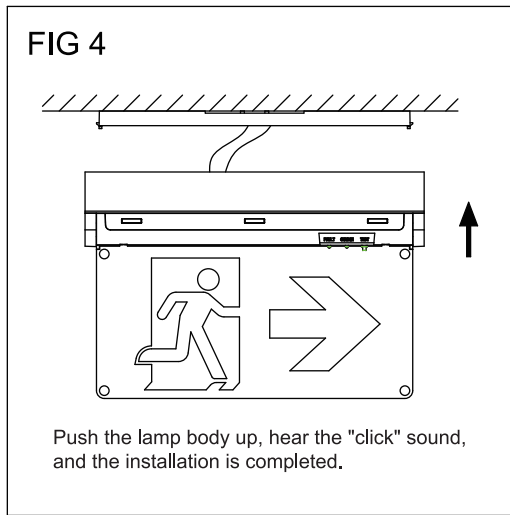
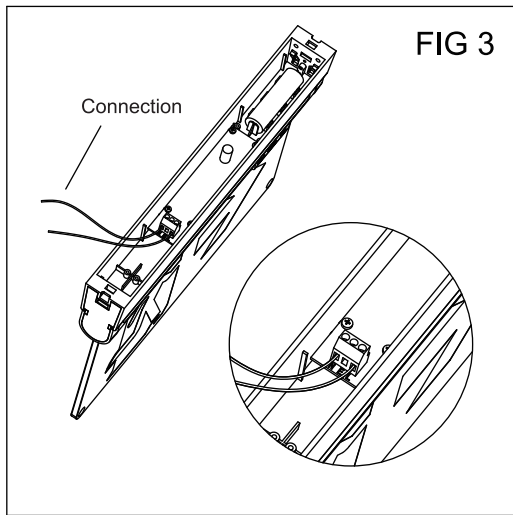
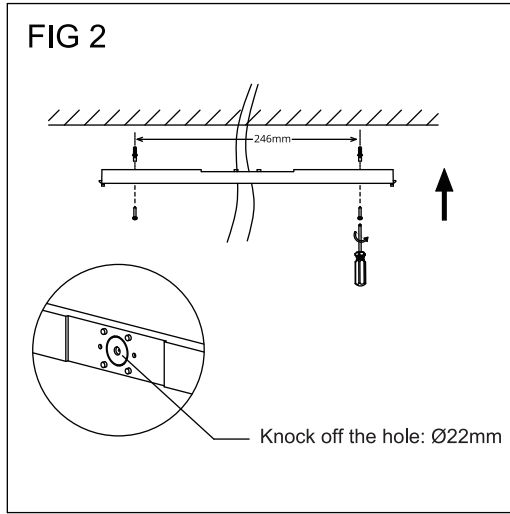
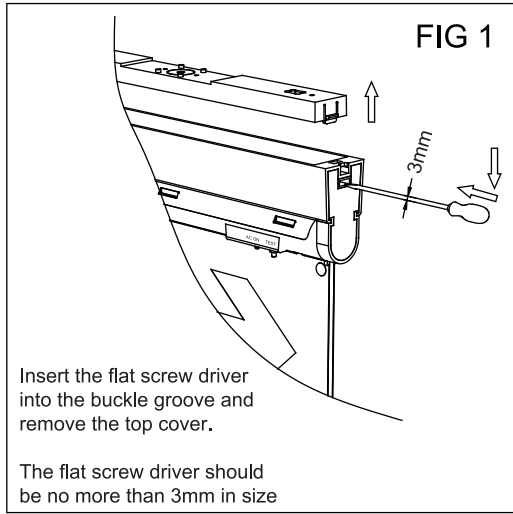
L:live
 E:If there is a ground wire,it can be connected
 N:neutral

Wire range: 3x2.5 mm²
 Strip length: 6-7 mm

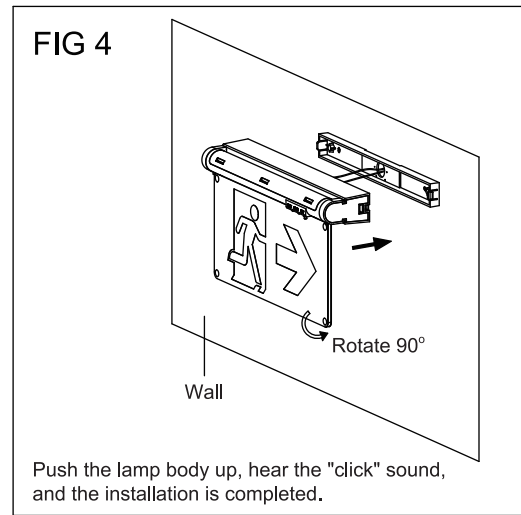
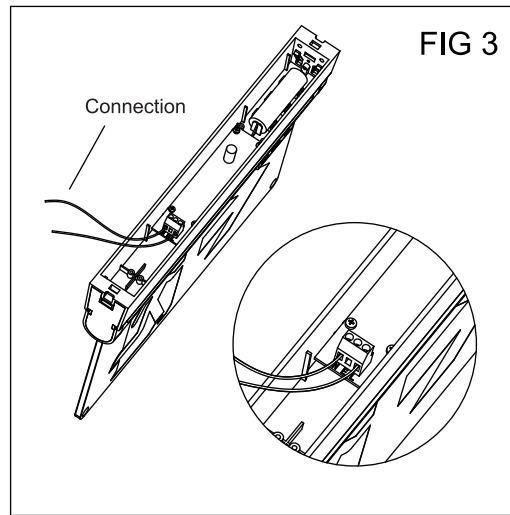
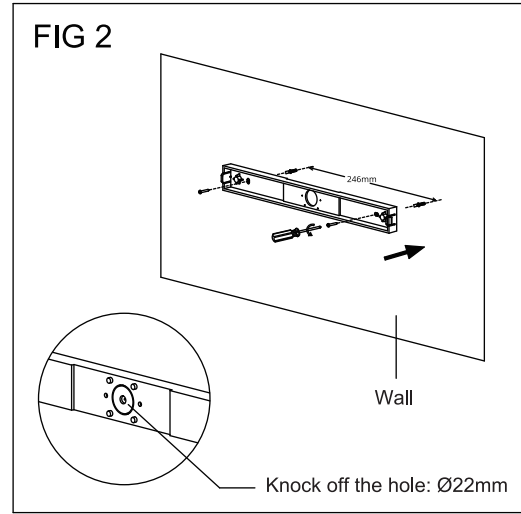
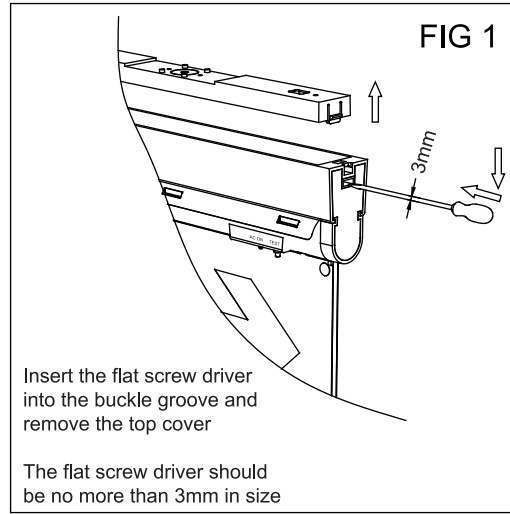
General:

1. All servicing should be performed by qualified personnel only
2. The device must be connected to the mains power supply through a fuse dependent by the total amount of the line's power load.

CEILING MOUNT



WALL MOUNT



This marking indicates that this product should not be disposed with other household wastes throughout the EU. To prevent possible harm to the environment or human health from uncontrolled waste disposal, recycle it responsibly to promote the sustainable reuse of material resources. To return your used device, please use the return and collection systems or contact the retailer where the product was purchased. They can take this product for environmental safe recycling.