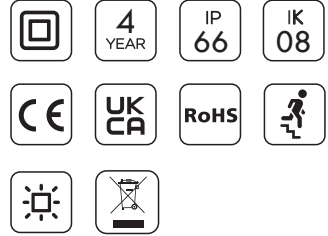


Installation Instruction

Product Code: 805517 805524 805531 805548
Product Description: LED Emergency Bulkhead IP66



Specification

EM Duration: 3 hours
Charging Power: 3W
Ambient Temp: 0-45°C
Emergency Mode: Maintained/Non-Maintained
Function: Autotest
Battery: LiFePO4 3.2V 1.5Ah
Warranty: 4 years(battery 2 years)

Routine Testing

Testing should be carried out in accordance with the recommendations of BS5266 & EN50172.

1. Do not switch off unswitched mains supply after installation. If interruption is unavoidable, the batteries must be disconnected or damage to the batteries may occur. Leave the luminaire on continuous charge for 24 hours.
2. A monthly functional test should be conducted manually.
3. Annually, a full three hour duration test should be conducted manually.
4. Batteries should be replaced when the luminaire no longer meets the 3 hours duration performance.
5. Testing is performed by interrupting the unswitched supply for the test duration manually or self-test function complying with IEC62034.
During testing the luminaire should remain illuminated in emergency mode.
6. Ensure that the 'charge indicator' is 'ON' during 'Charging Mode'.
If the charge indicator (LED) is unlit, this signifies a fault.
7. Replace faulty light source and batteries immediately.
To assist with this testing, a test record is included below.
To increase the chance of a fault being reported between monthly tests, it is desirable that staff are made aware of the purpose of the indicator.

Testing Record

Product: _____

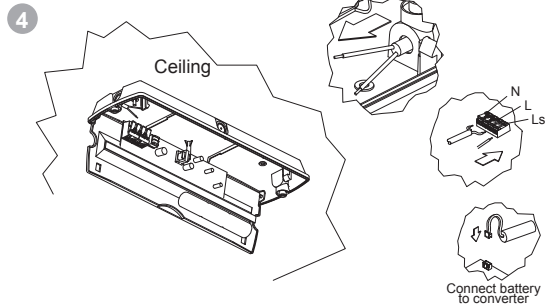
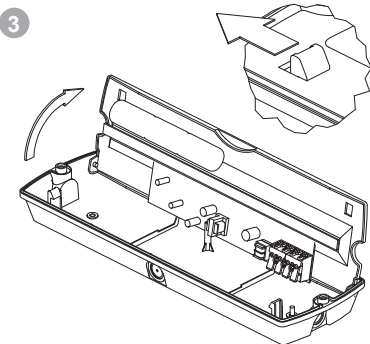
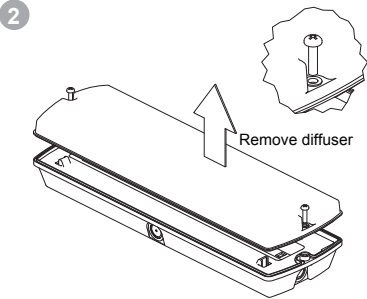
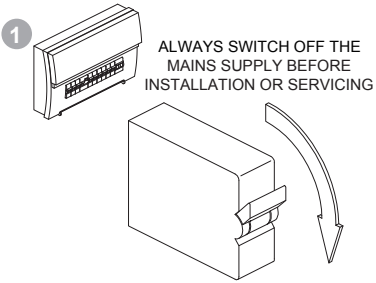
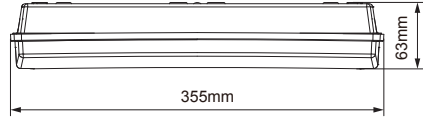
Location: _____

Installation Date: _____

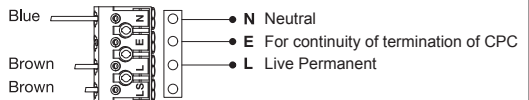
Month	Functional/Duration	Year 1	Year 2	Year 3	Year 4	Year 5
1						
2						
3						
4						
5						
6						
7						
8						
9						
10						
11						
12						

Installation Instruction

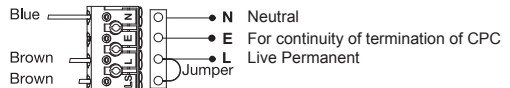
Dimension



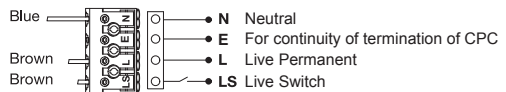
EMERGENCY TERMINATIONS NON-MAINTAINED



EMERGENCY TERMINATIONS MAINTAINED

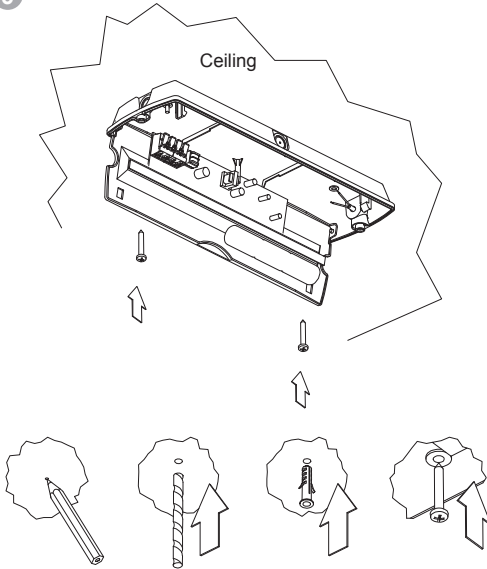


EMERGENCY TERMINATIONS MAINTAINED (SWITCHABLE)

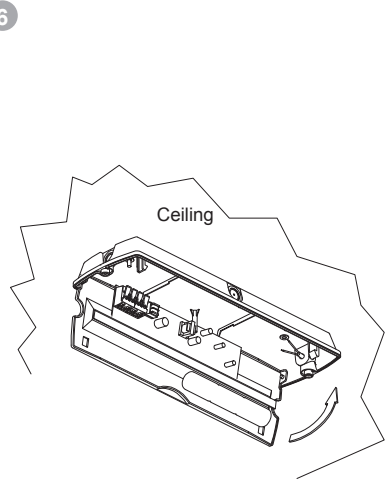


Installation Instruction

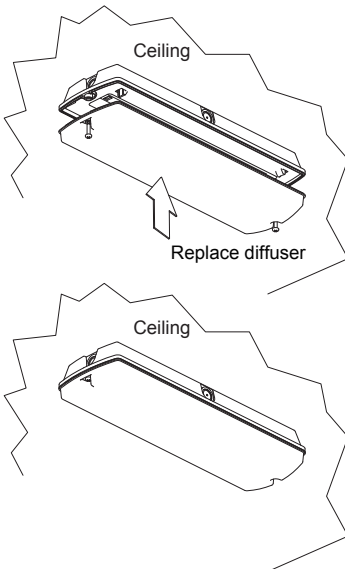
5



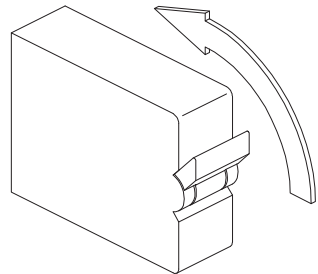
6



7



8



Specifications for Autotest

Function Test









The function test is carried out every week for 5 seconds. It will check the connection of battery, battery discharging and the connection of LED module.

Duration Test

An initial duration test is automatically carried out at first power on, but after 24 hours charging. After that, the duration test is carried out for 3 hours every half year, on one day within the 175th day to the 195th day. It will also check the connection of battery and LED module.

A bi-colour indicator will indicate the normal and abnormal status. Green is for conditions are normal and red for failures.

Descriptions as following.

LED Colour	Status	On Time (Seconds)	Off Time (Seconds)	Description
Green	 Permanent on	/	/	Normal status when mains connected
	 Slow flash	1s	1s	Duration test running
	 Fast flash	0.2s	0.2s	Function test running
	 Normal flash three times only	0.5s	0.5s	Time reset
Red	 Permanent on	/	/	Battery failure
	 Slow flash	1s	1s	Lamp failure
	 Fast flash	0.2s	0.2s	Duration failure - battery capacity is not sufficient.
Light Off	 Off	/	/	Emergency mode

A test switch is applied for different functions activated manually.

Duration	Function
Press for <2s	Simulate emergency mode
Press for 3-5s	Start duration test manually. The test can be aborted by pressing off (1-2s).
Press for 5-8s	Start Function test manually for 60s. The test can be aborted by pressing off (1-2s).
Press for >10s	Time Reset

Note:

- When the mains is on, the green indicator will be permanent on. It will check the connection of battery and the connection of LED module. When the mains is off, no test will perform.
- When there is a lamp failure at non-maintained mode, the indicator remains green but will turn red and be slow flashing after the failure is detected in a weekly function test.
- The luminaries on which we want to perform the duration tests must be connected to the mains supply for at least 24 uninterrupted hours.
- When the fault is corrected, the indicator will only be reset to its normal status after mains reconnected or test switch pressed.
- An accuracy of the timing of the test interval is ensured that it has an accuracy of ± 75 s per week. The timing function will be retained through periods of mains supply failure or interruption for up to 7 days.